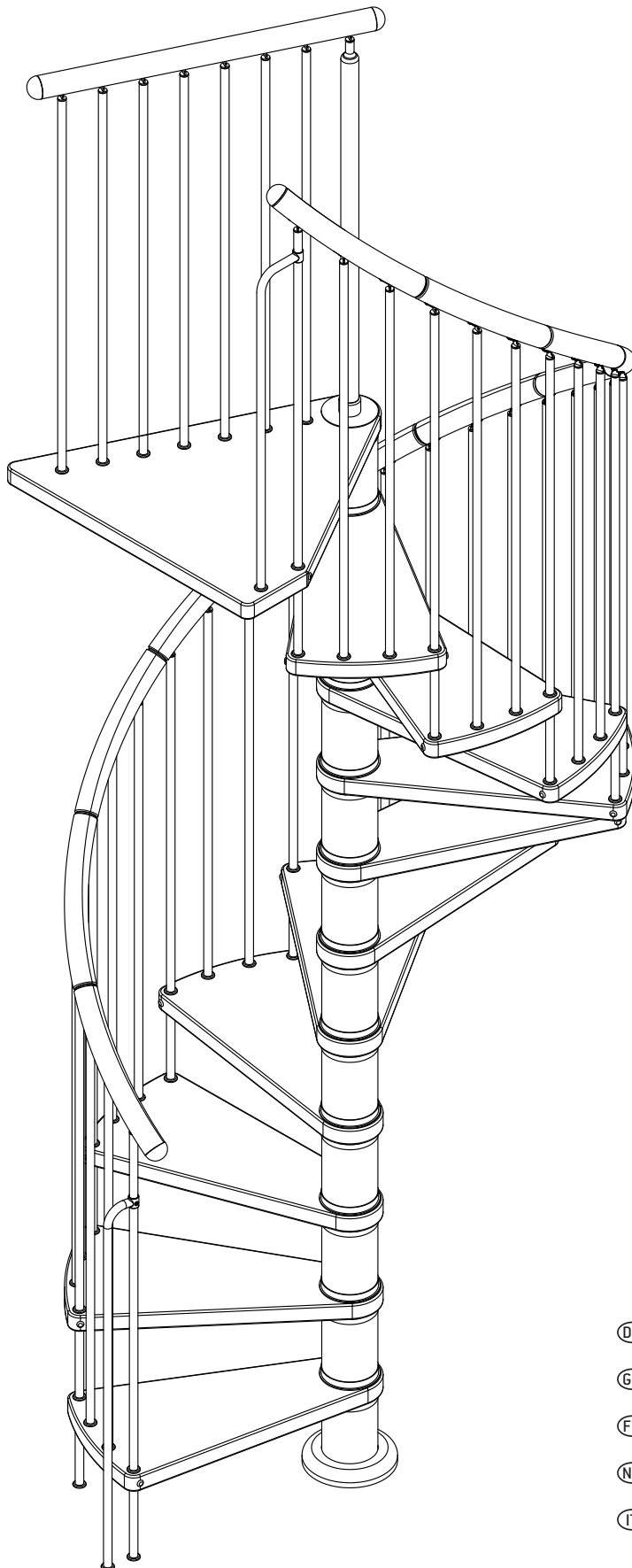


WINNIPEG

Ø 140

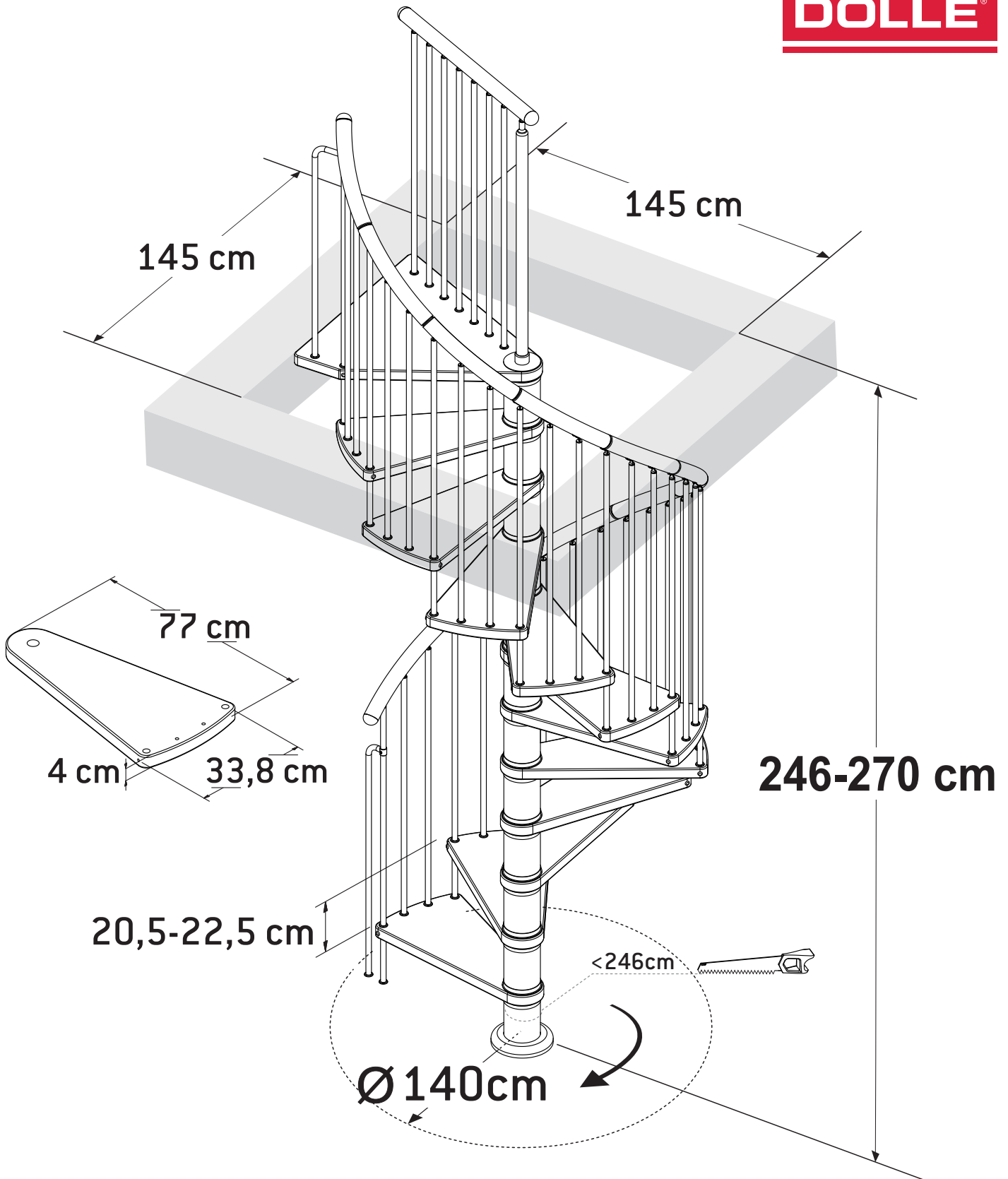


BUCHE
BEECH
HÊTRE
BEUK
FAGGIO



EICHE
OAK
CHÊNE
EIK
QUERCIA

- DE TREPPE WINNIPEG Ø140 CM
- GB WINNIPEG STAIRCASE Ø140 CM
- FR WINNIPEG ESCALIER Ø140 CM
- NL WINNIPEG TRAP Ø140 CM
- IT WINNIPEG SCALA Ø140 CM



Nutzlast für Winnipeg:

- **Verkehrslast:** 3 kN/m² (300 kg/m²)
- **Einzellast:** 2 kN (200 kg)

Service load for Winnipeg:

- **Distributed load:** 3 kN/m² (300 kg/m²)
- **Point load:** 2 kN (200 kg)

Charge d'exploitation pour Winnipeg:

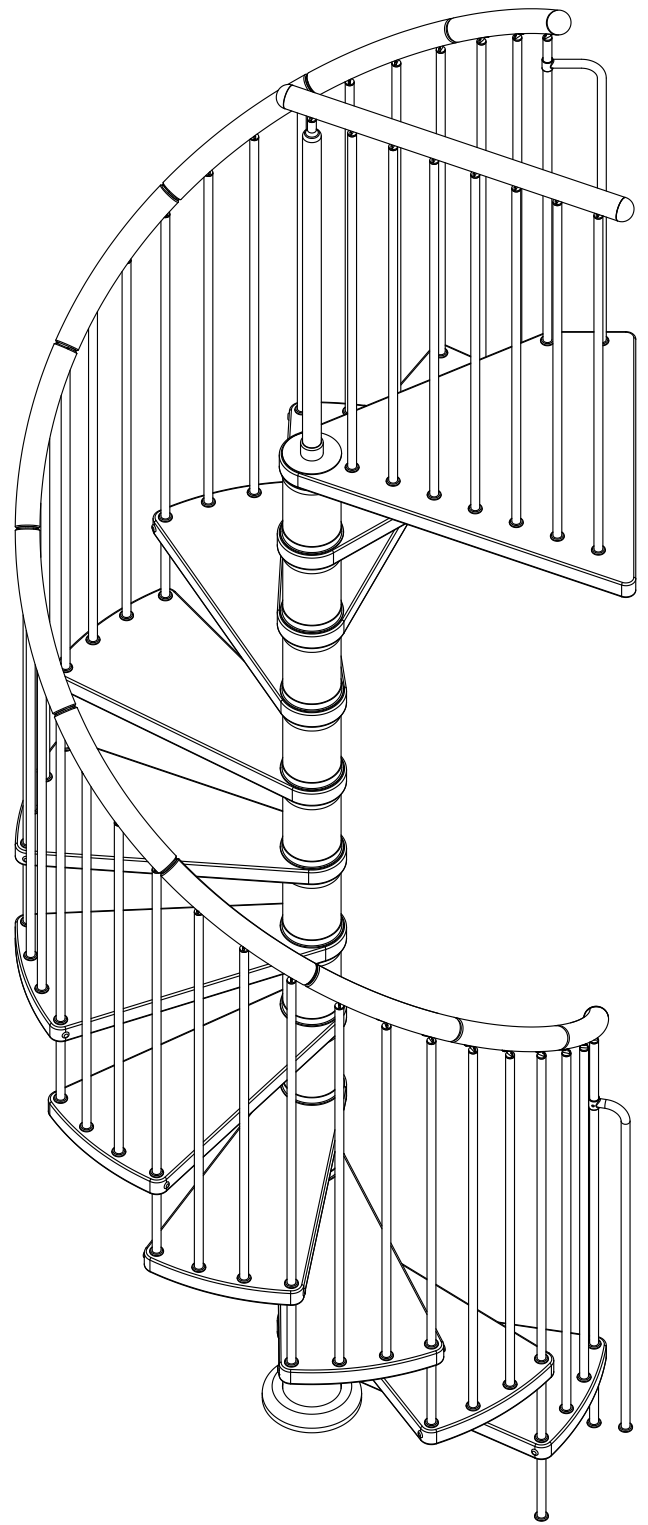
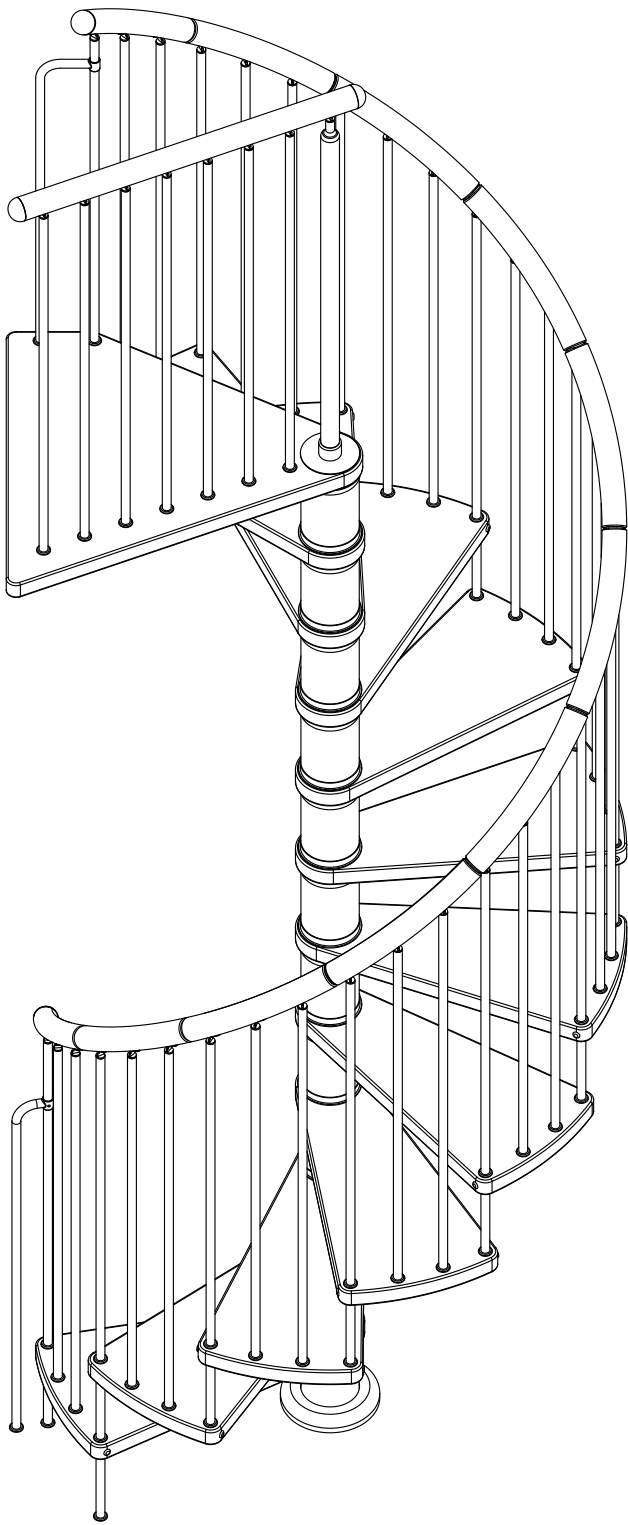
- **Charge répartie:** 3 kN/m² (300 kg/m²)
- **Charge ponctuelle:** 2 kN (200 kg)

Belasting voor Winnipeg:

- **Verdeelde belasting:** 3 kN/m² (300 kg/m²)
- **Puntbelasting:** 2 kN (200 kg)

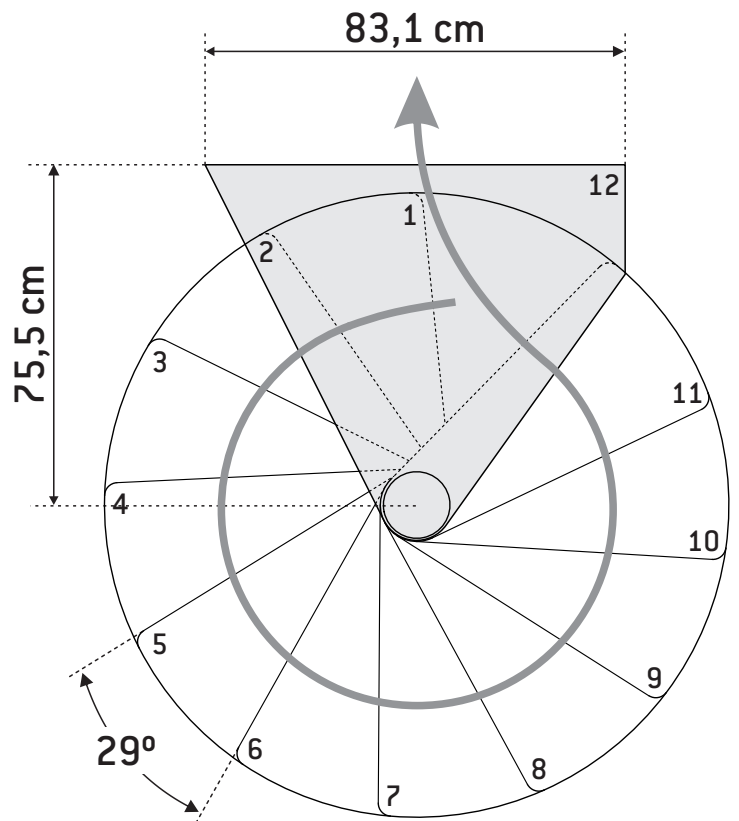
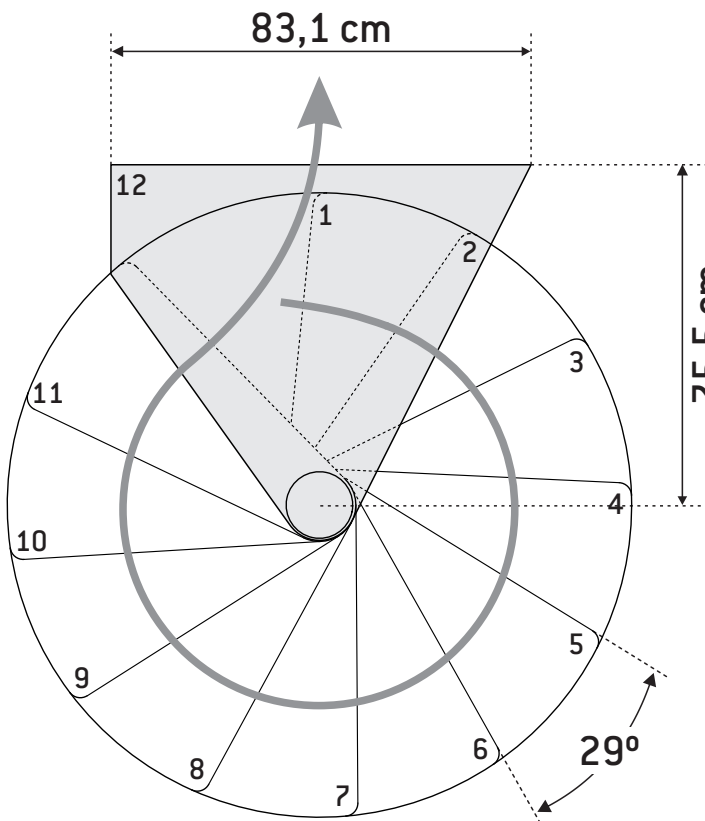
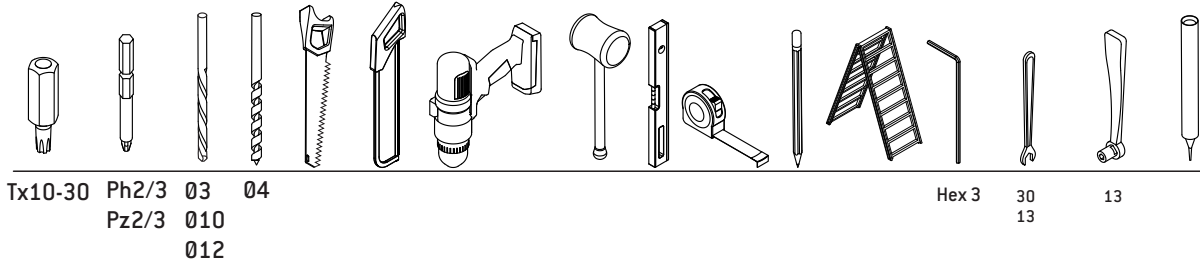
Carico di esercizio per Winnipeg:

- **Carico distribuito:** 3 kN/m² (300 kg/m²)
- **Carico puntuale:** 2 kN (200 kg)

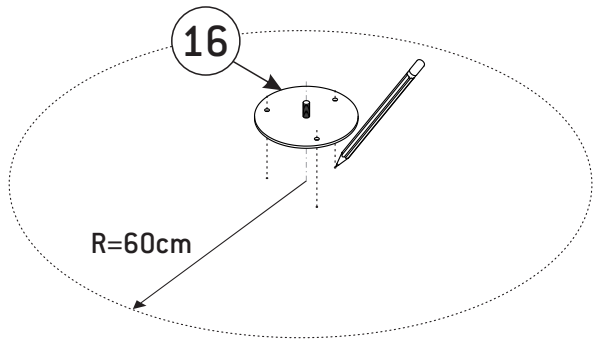


<p>1 40x335x770mm x11</p>	<p>2 40x821x831mm x1</p>	<p>3 Ø118x160mm x12</p>	<p>4 Ø50x410mm x9</p>	<p>5 Ø50x450mm x2</p>	<p>6 Ø18x900mm x1</p> <p>RAL 7012</p>
<p>7 Ø34x950mm x1</p> <p>M30</p> <p>RAL 7012</p>	<p>8 Ø18x1315mm x1</p> <p>RAL 7012</p>	<p>9 Ø18x1120mm x11</p> <p>RAL 7012</p>	<p>10 Ø18x1013mm x11</p> <p>M8</p> <p>RAL 7012</p>	<p>11 Ø18x938mm x11</p> <p>M8</p> <p>RAL 7012</p>	<p>12 Ø18x955mm x7</p> <p>M8</p> <p>RAL 7012</p>
<p>13 M30x997mm x1</p> <p>M16</p>	<p>14 Ø30x1220mm x2</p> <p>M16</p>	<p>15 50x60x90mm x4</p>	<p>16 Ø192x4mm x1</p>	<p>17 M8x60mm x10</p>	<p>18 M16x80mm x2</p>
<p>19 118x5mm x48</p>	<p>20 120x6mm x1</p>	<p>21 Ø56x4mm x1</p> <p>A30</p>	<p>22 Ø40x4mm x10</p>	<p>23 Ø16x1.6mm x30</p> <p>A8</p> <p>RAL 7012</p>	<p>24 Ø121x18mm x24</p>
<p>25 Ø50x905mm x1</p>	<p>26 x1</p> <p>M30</p>	<p>27 Ø10x7mm x23</p>	<p>28 Ø28x4mm x23</p>	<p>29 Ø28x4mm x30</p>	<p>30 Ø4,8x13 x4</p>
<p>31 Ø6x25 x8</p>	<p>32 Ø6x60 x10</p>	<p>33 Ø8x80 x6</p>	<p>34 M8x60 x30</p> <p>RAL 7012</p>	<p>35 Ø10x50 x10</p>	<p>36 Ø12x60 x6</p>

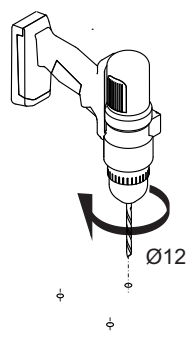
<p>37 0200x33 mm x1</p> <p>RAL 7012</p>	<p>38 022x82 mm x1</p> <p>RAL 7012</p>	<p>39 055x60 mm x1</p> <p>RAL 7012</p>	<p>40 018x825 mm x1</p> <p>RAL 7012</p>	<p>41 15x60x70 mm 15x60x100 mm x4</p>	<p>42 03.5x25 mm x82+3</p>
<p>43 M6x8 mm x23</p>	<p>44 18.5x22 mm x10</p>	<p>45 028x15 mm x3</p>	<p>46 055x60 mm x2</p> <p>Pz3</p>	<p>= 75%</p> <p>= 100%</p>	



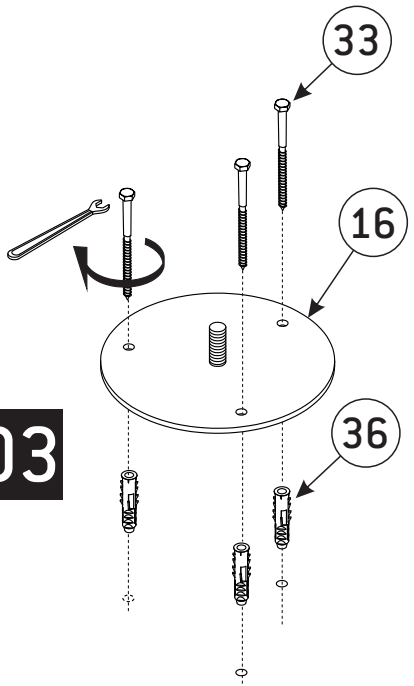
01



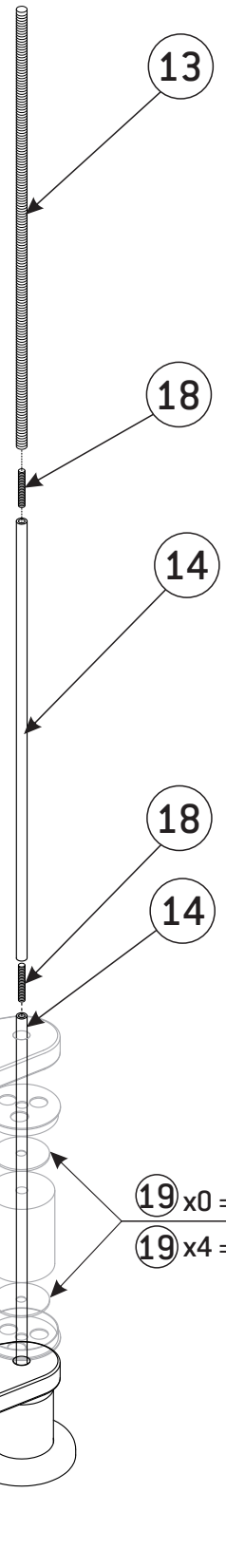
02



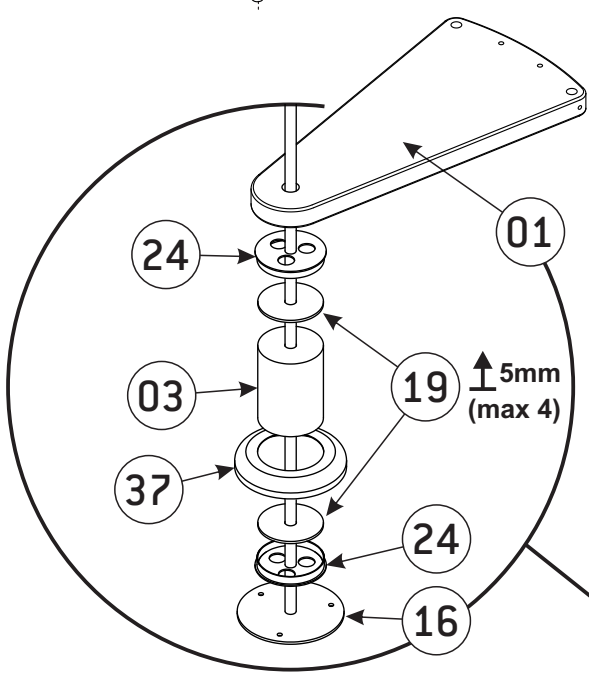
03



04



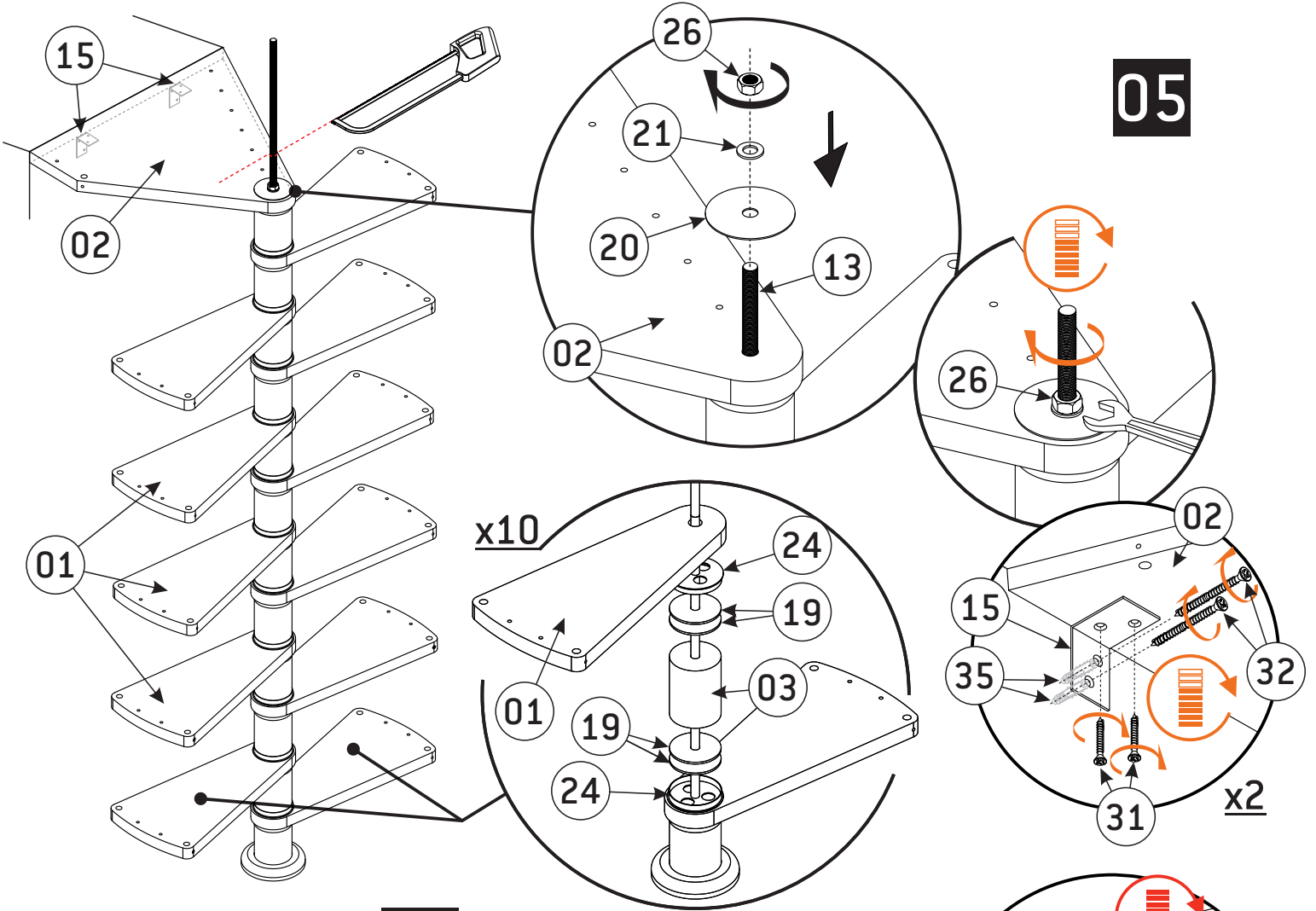
12x h205mm=H2460 mm
 12x h215mm=H2580 mm
 12x h225mm=H2700 mm



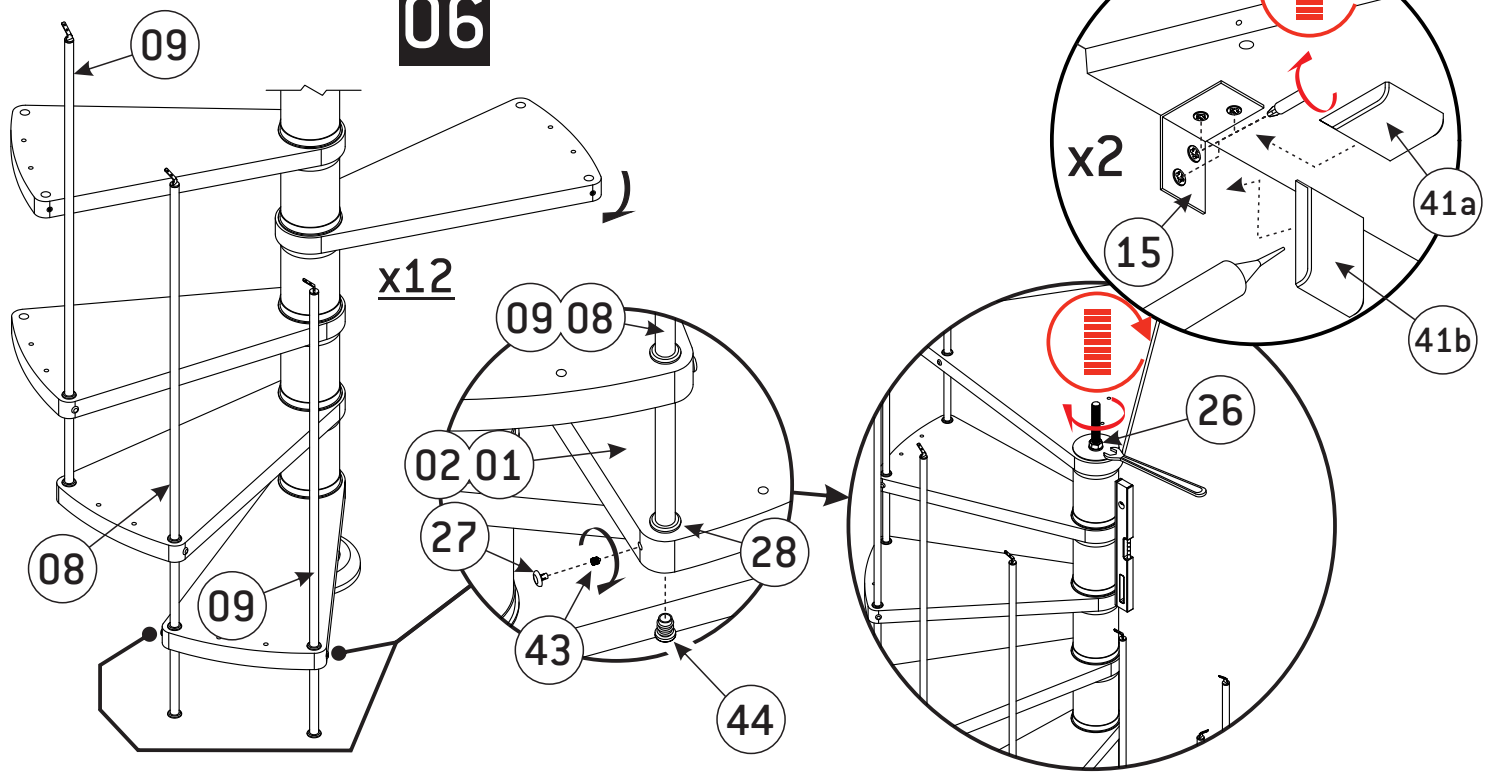
h

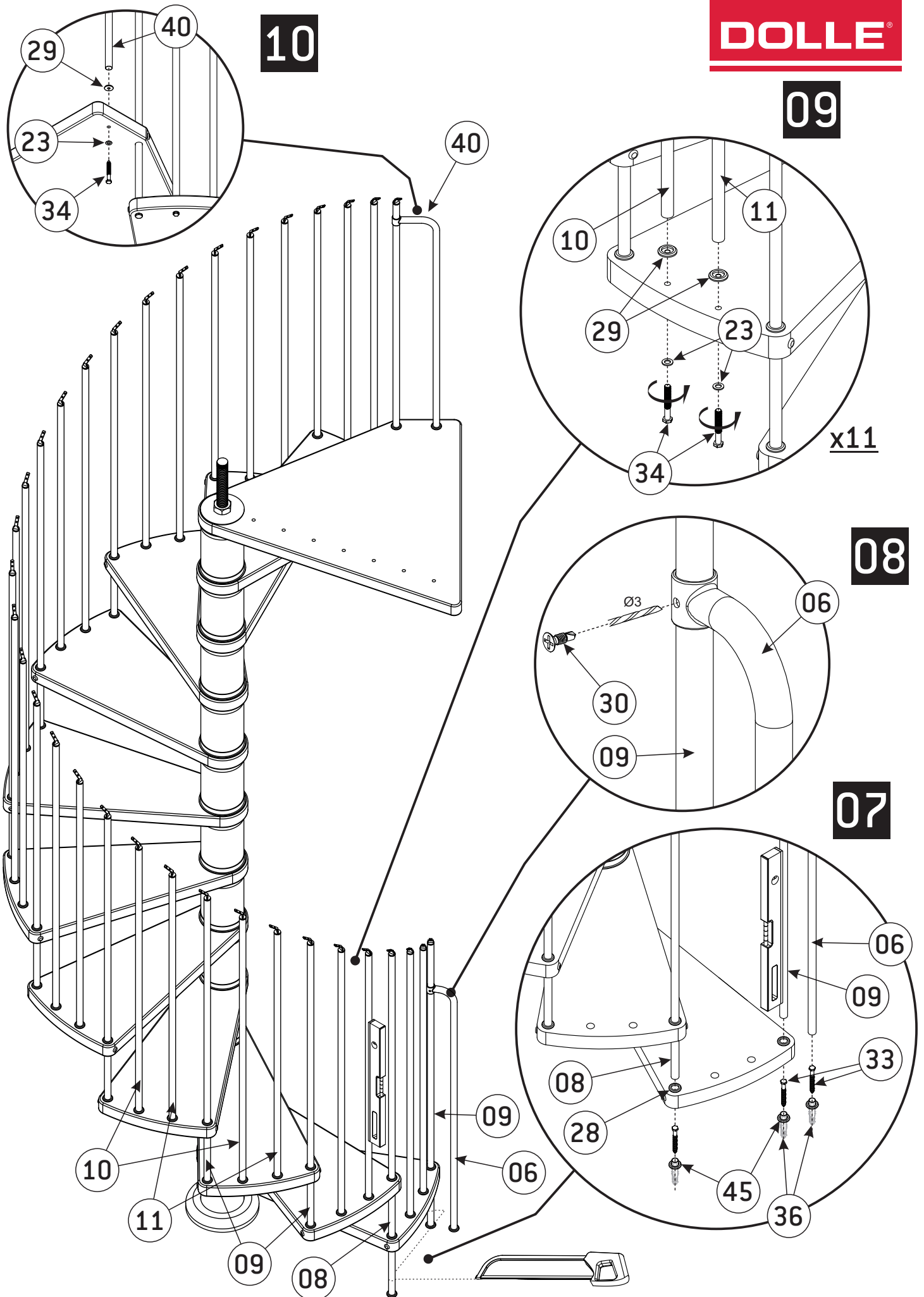
19 x0 = h205mm
 19 x4 = h225mm

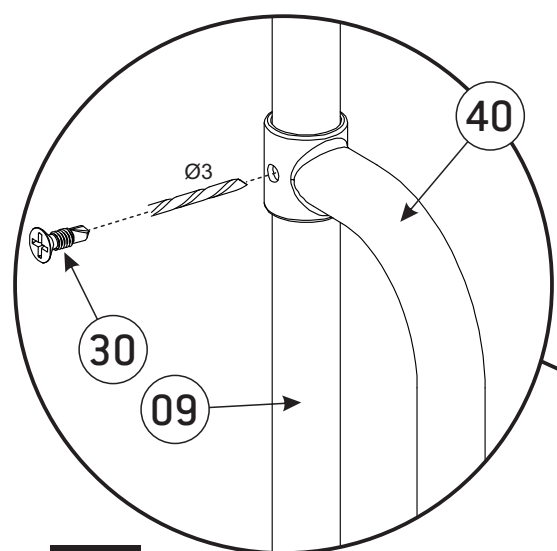
05



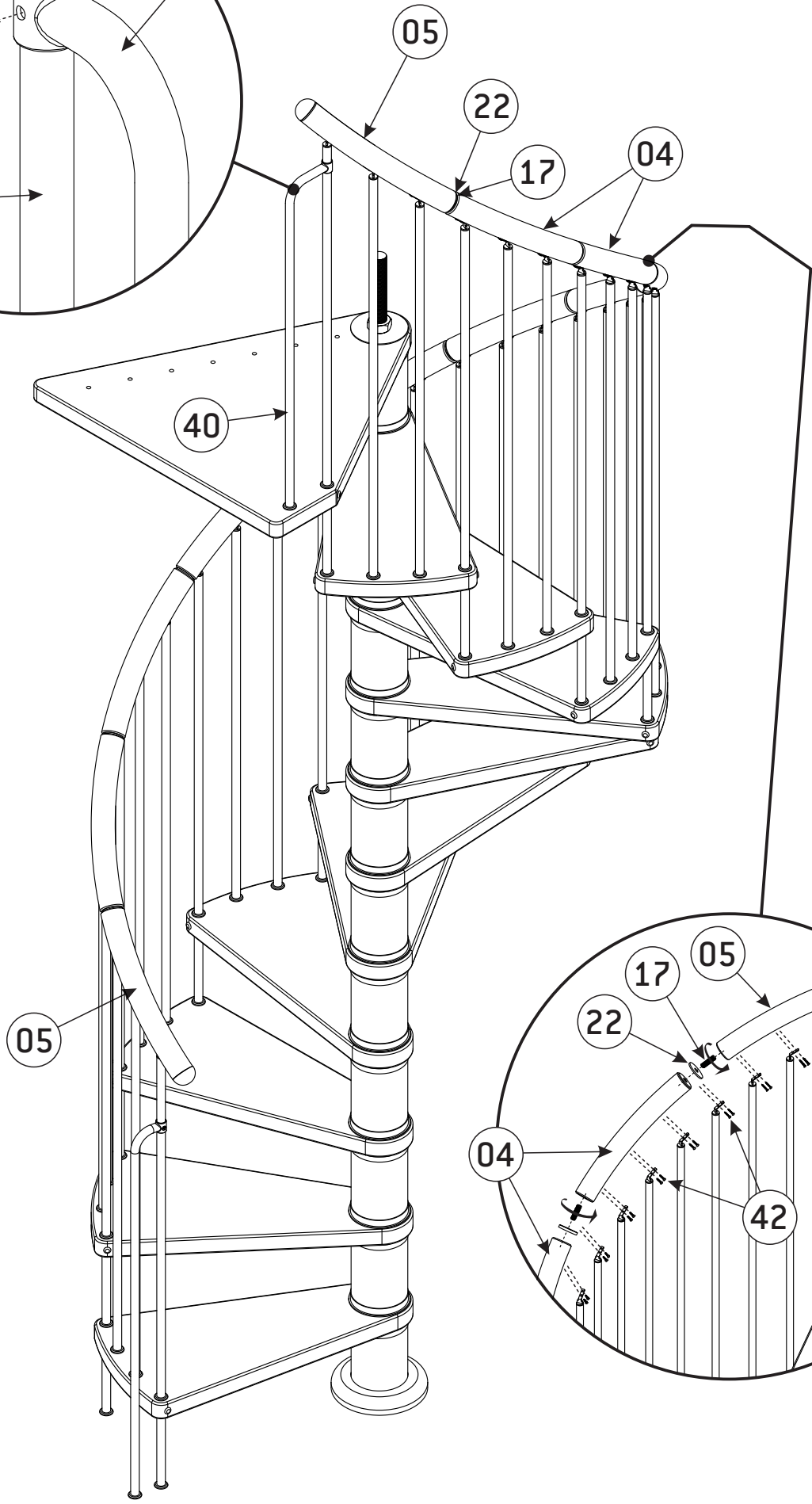
06



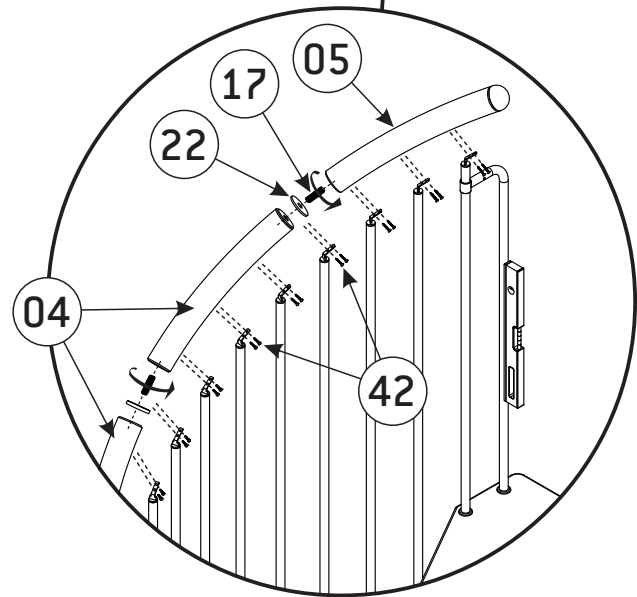


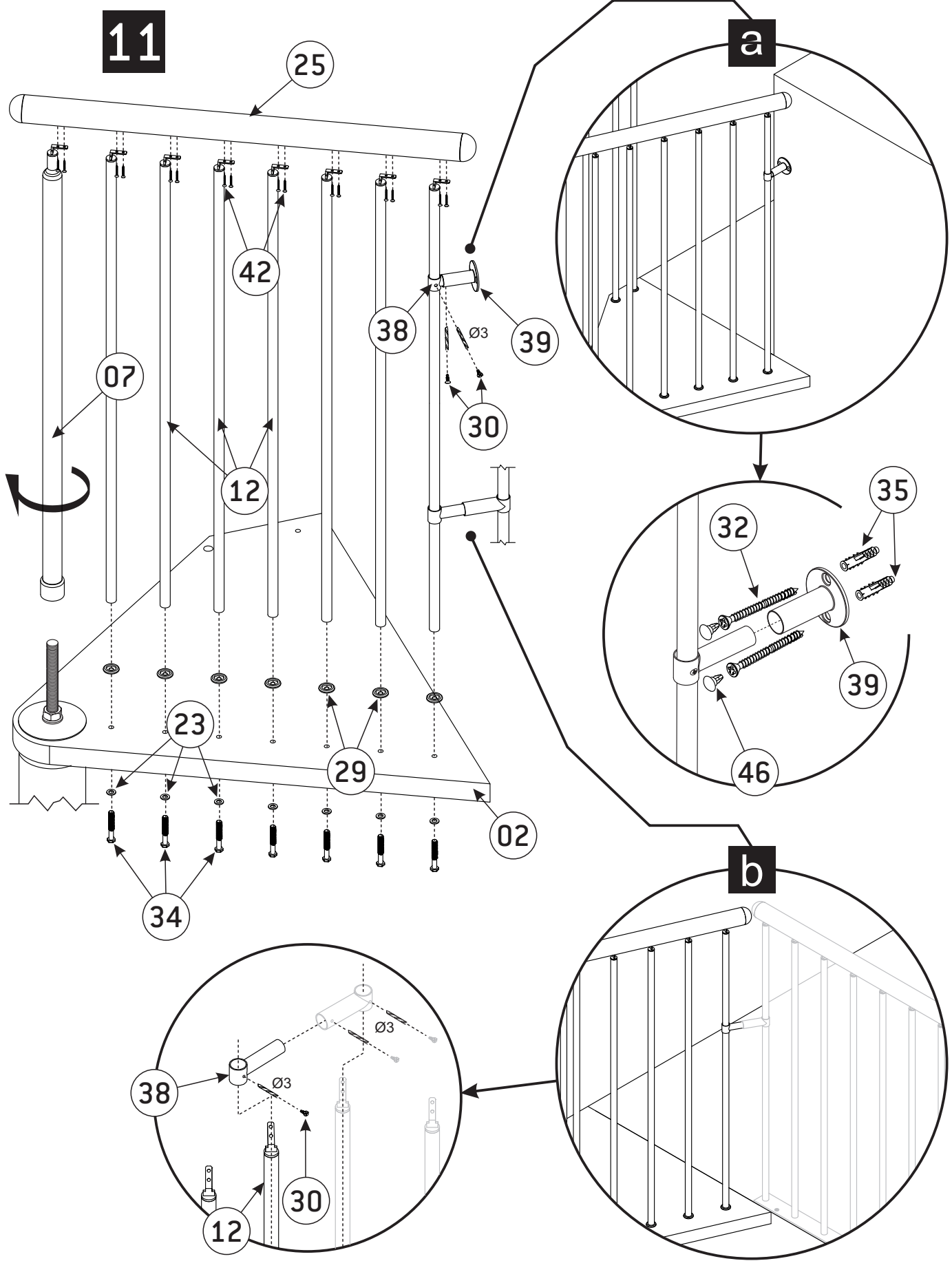


11



12





12

