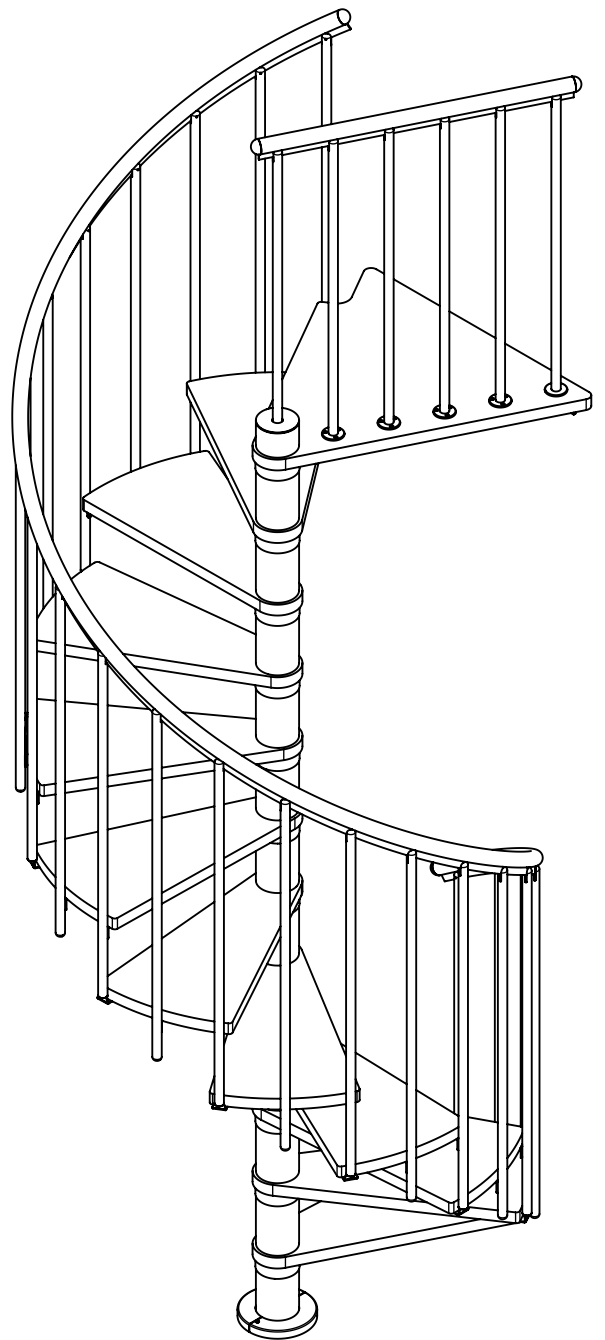
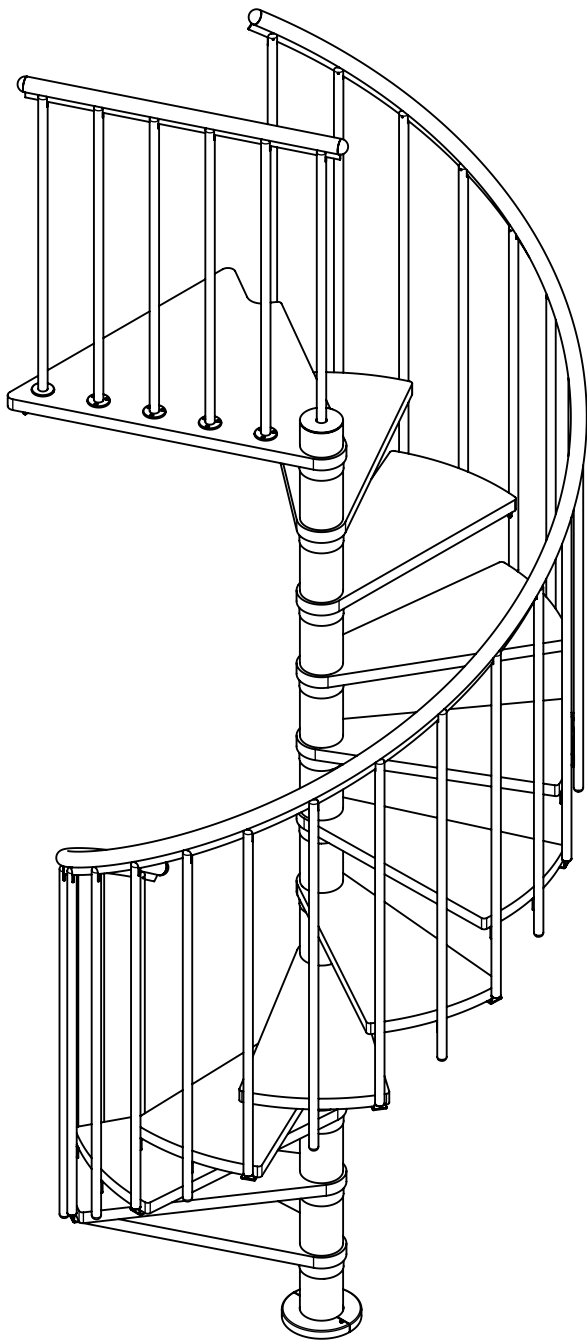
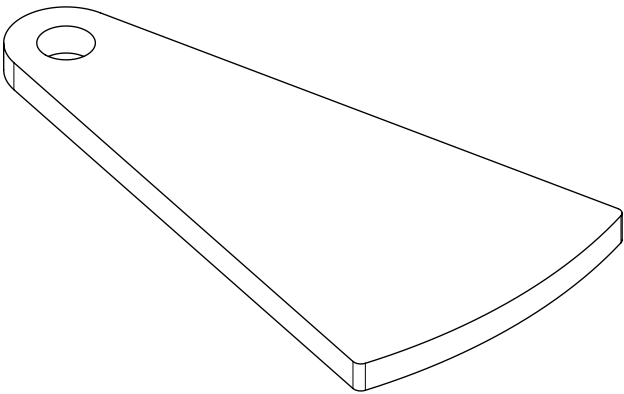

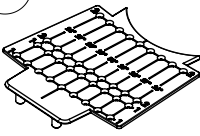
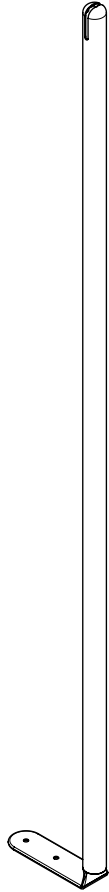

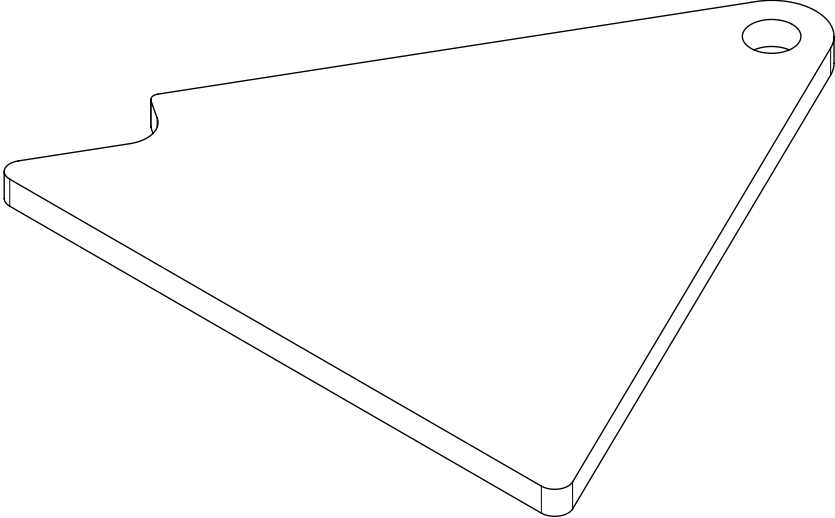

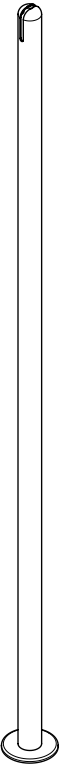


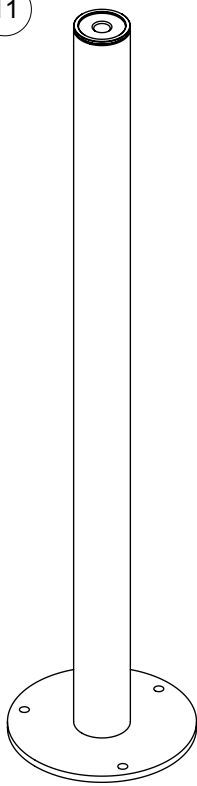



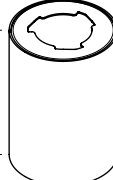
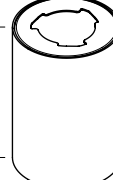
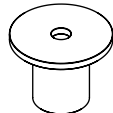
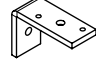
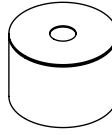




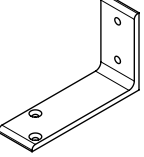
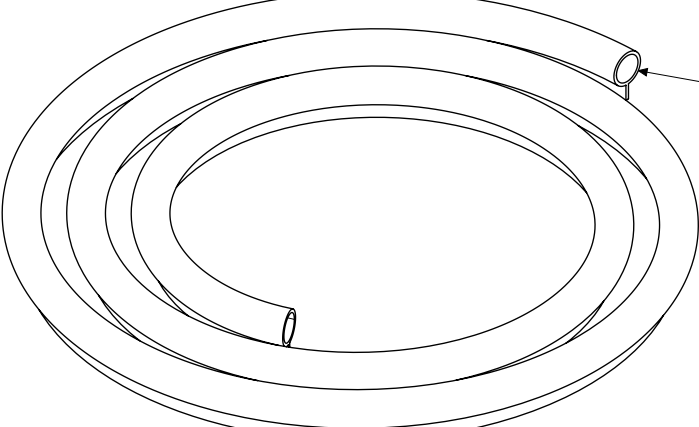

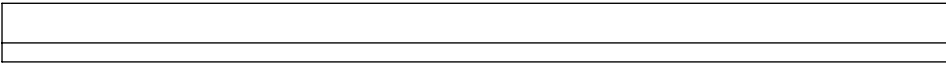

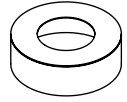



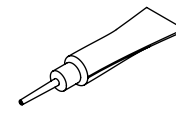

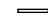





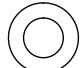


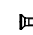



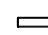











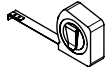
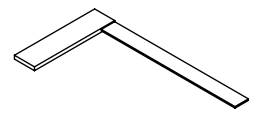
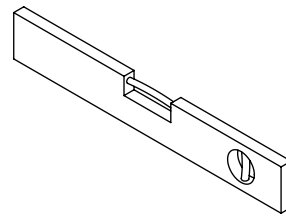
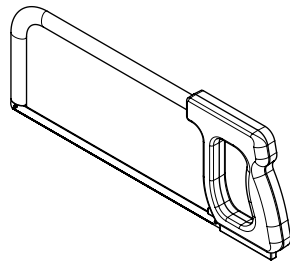
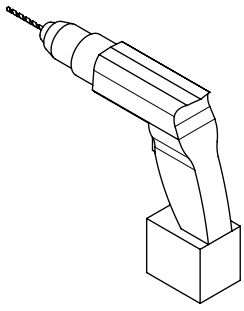
MONTRÉAL



<p>1</p> 	<p>3</p>  <p>K1-71231 RAL 9006 K1-71431 RAL 7016 K1-71631 RAL 9016</p> <p>4</p>  <p>K1-71030</p>	<p>5</p> 	<p>6</p>  <p>K1-71220 RAL 9006 K1-71420 RAL 7016 K1-71620 RAL 9016</p>		
<p>2</p> 		<p>7</p>  <p>K1-71230 RAL 9006 K1-71430 RAL 7016 K1-71630 RAL 9016</p> <p>K1-32224 RAL 9006 K1-71421 RAL 7016 K1-32424 RAL 9016</p>			
<p>8</p>  <p>K2-71260 RAL 9006 K2-71460 RAL 7016 K2-71660 RAL 9016</p>	<p>9</p>  <p>K2-71250 RAL 9006 K2-71450 RAL 7016 K2-71650 RAL 9016</p>	<p>10</p>  <p>K2-71240 RAL 9006 K2-71440 RAL 7016 K2-71640 RAL 9016</p>	<p>11</p>  <p>K2-71010</p>	<p>12</p>  <p>K2-71012</p>	<p>13</p>  <p>K1-71000</p>

<p>14</p>  <p>K3-07023 M20 x 1170</p>	<p>15</p>  <p>161mm</p> <p>K2-71210 RAL 9006 K2-71410 RAL 7016 K2-71610 RAL 9016</p>	<p>16</p>  <p>169mm</p> <p>K2-71211 RAL 9006 K2-71411 RAL 7016 K2-71611 RAL 9016</p>	<p>17</p>  <p>K2-71005</p>	<p>18</p>  <p>K1-71201 RAL 9006 K1-71401 RAL 7016 K1-71601 RAL 9016</p>	<p>19</p>  <p>K2-71215 RAL 9006 K2-71415 RAL 7016 K2-71615 RAL 9016</p>
	<p>20</p>  <p>K2-71200 RAL 9006 K2-71400 RAL 7016 K2-71600 RAL 9016</p>	<p>21</p>  <p>Ø42mm</p> <p>K1-71290 RAL 9006 K1-39010 RAL 7016 K1-29486 RAL 9016</p>	<p>22</p>  <p>Ø42mm</p> <p>K1-39000</p>	<p>23</p>  <p>13mm</p> <p>K1-01013 RAL 9006 K1-01023 RAL 7016 K1-01003 RAL 9016</p>	<p>24</p>  <p>K1-19310 RAL 9006 K1-71402 RAL 7016 K1-71602 RAL 9016</p>
	<p>25</p>  <p>Ø42mm</p> <p>K1-71295 5 m - RAL 9006 K1-71495 5 m - RAL 7016 K1-71695 5 m - RAL 9016</p>				
<p>26</p>  <p>Ø42mm</p>  <p>K1-71291 1,00 m - RAL 9006 K1-39110 1,00 m - RAL 7016 K1-29410 1,00 m - RAL 9016</p>					<p>27</p>  <p>K1-71205 RAL 9006 K1-71405 RAL 7016 K1-71605 RAL 9016</p>
<p>30</p>  <p>K1-71219 RAL 9006 K1-71419 RAL 7016 K1-71619 RAL 9016</p>					

<p>35</p>  <p>K1-71270 RAL 9006 K1-71470 RAL 7016 K1-71670 RAL 9016</p>	<p>50</p>  <p>K3-06022 RAL 9006 K3-10226 RAL 7016 K3-10126 RAL 9016 Ø5 x 35</p>	<p>51</p>  <p>K3-06199 RAL 9006 K3-10239 RAL 7016 K3-10139 RAL 9016 M5 x 20</p>	<p>52</p>  <p>K3-90001</p>	<p>53</p>   <p>K3-04028 Ø8,4</p>	<p>54</p>  <p>K3-08004 Ø10 x 60</p>
	<p>55</p>   <p>K3-06015 M8 x 70</p>	<p>56</p>   <p>K3-03024 M20</p>	<p>57</p>   <p>K3-04020 Ø20</p>	<p>58</p>  <p>K3-08002 Ø8</p>	<p>59</p>   <p>K3-02131 RAL 9006 K3-10231 RAL 7016 K3-10131 RAL 9016 M4 x 10</p>
	<p>60</p>   <p>K3-05013 RAL 9006 K3-10233 RAL 7016 K3-10133 RAL 9016 M6 x 6</p>	<p>61</p>   <p>K3-05011 RAL 9006 K3-10230 RAL 7016 K3-10130 RAL 9016 M5 x 20</p>	<p>62</p>   <p>K3-02081 M8 x 70</p>	<p>63</p>   <p>K3-03014 M20</p>	<p>69</p>   <p>R1-63272 Ø6 x 25</p>
	<p>71</p>   <p>K3-06016 Ø6 x 40</p>				



Torx 25



2,5

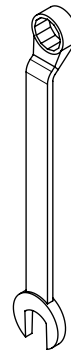


3



4

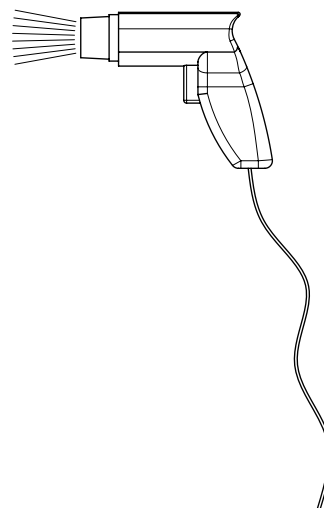
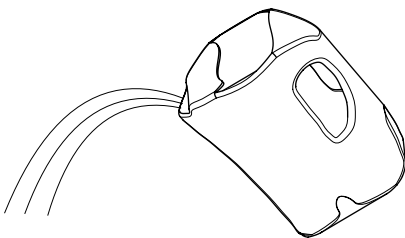
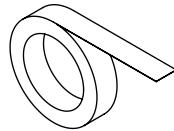
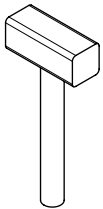
× 2

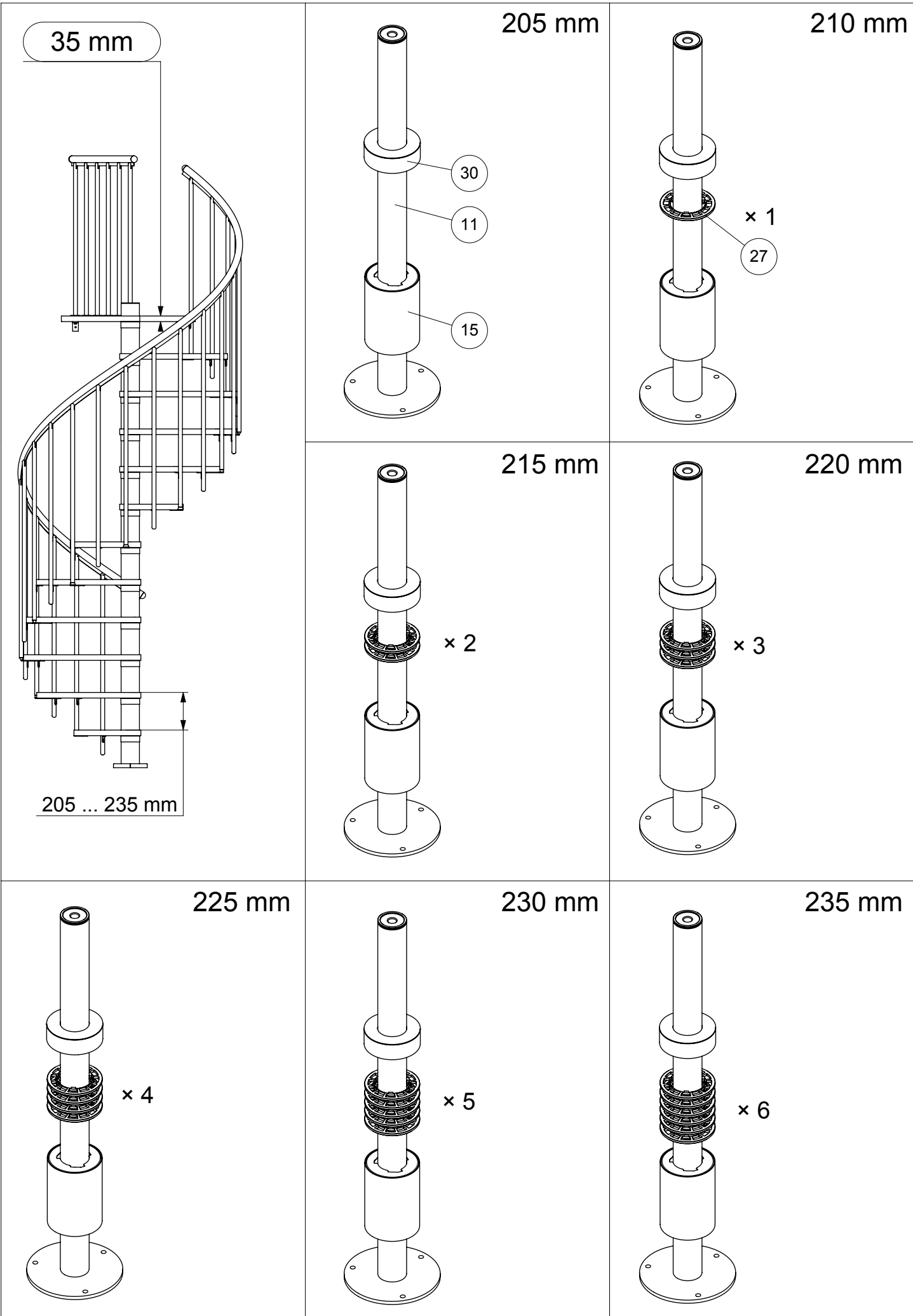


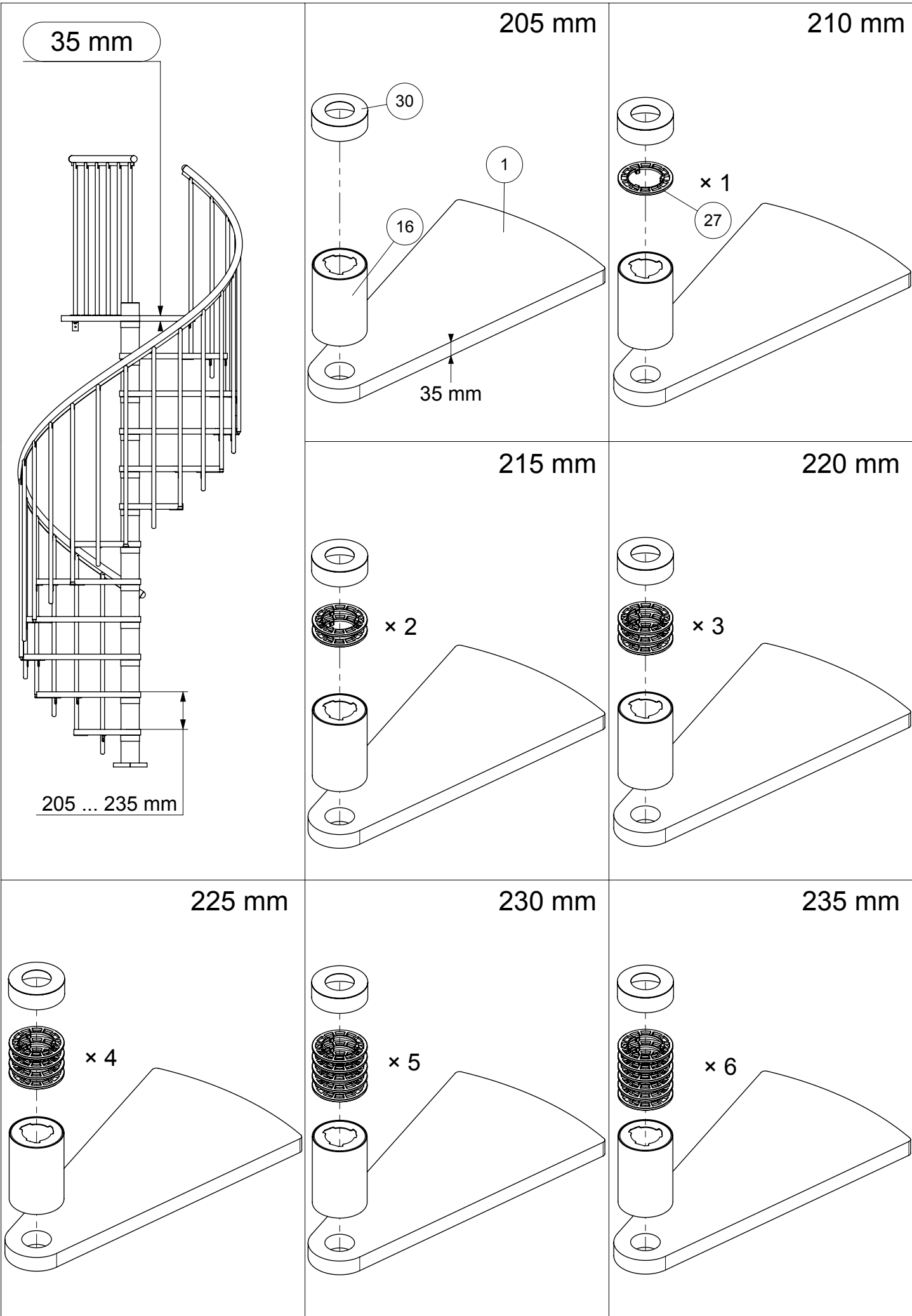
30



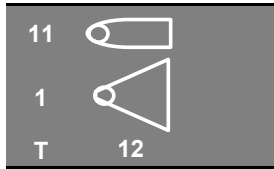
13



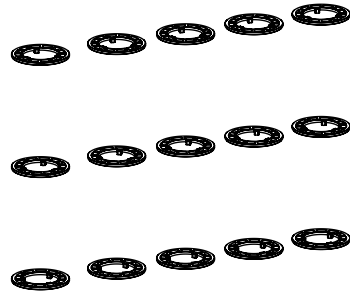




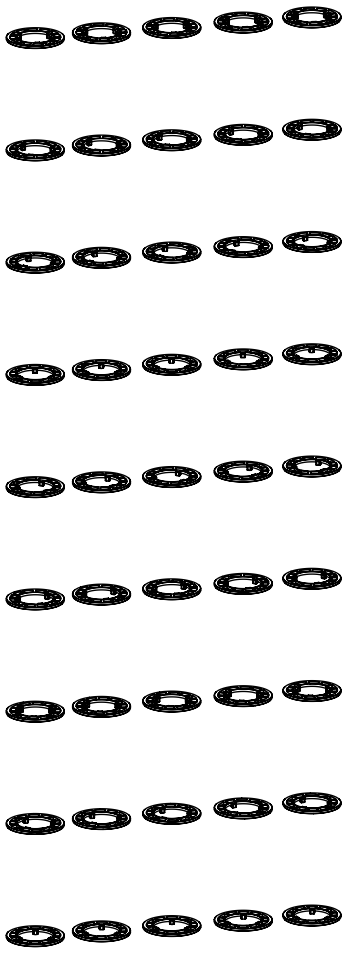
35 mm



N
0 ... 6 st (pcs)



N
0 ... 6 st (pcs)



P
+1
st (pcs)



35 mm

2780	5	4
2785	5	5
2790	5	6
2795	5	7
2800	5	8
2805	5	9
2810	5	10
2815	5	11

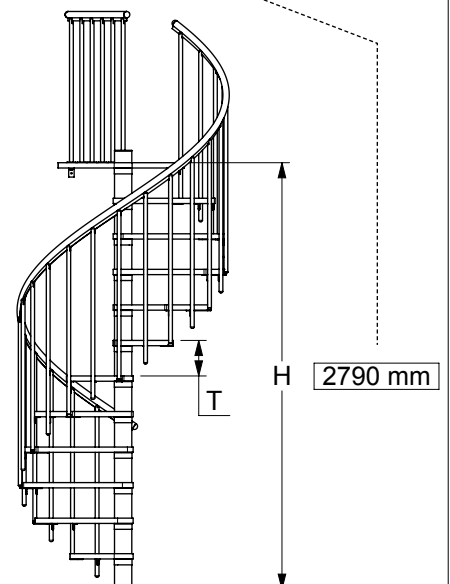
N x T

5 st (pcs) x 12
= 60 st (pcs)







P

+6 st (pcs)

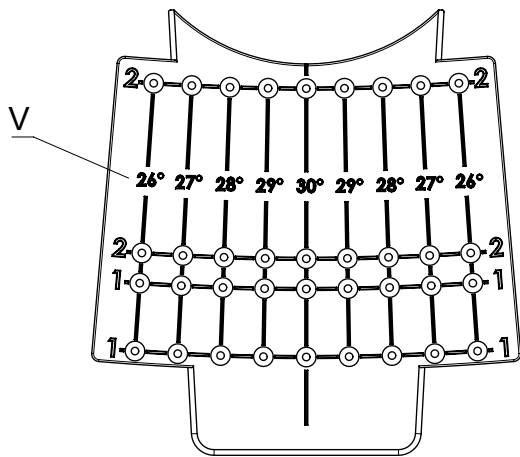
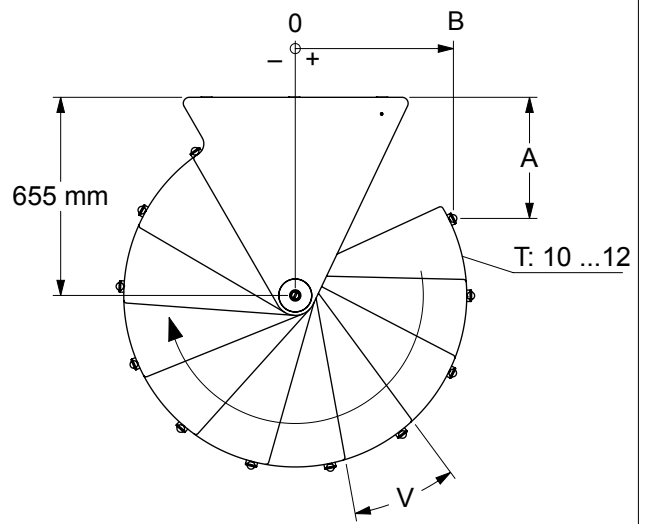
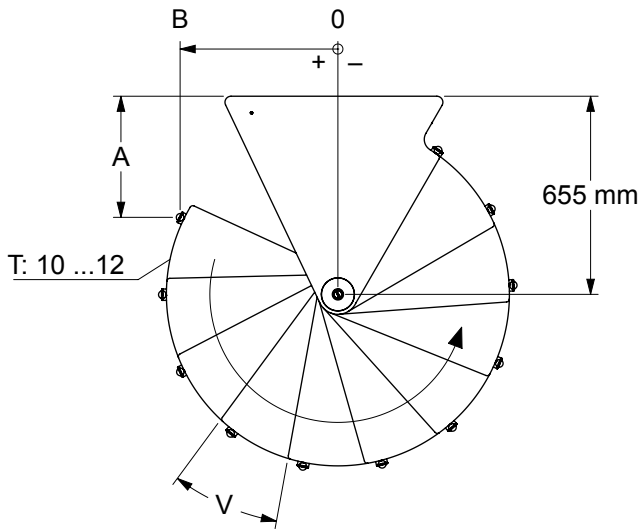
2780	5	4
2785	5	5
2790	5	6
2795	5	7
2800	5	8
2805	5	9
2810	5	10
2815	5	11



35 mm

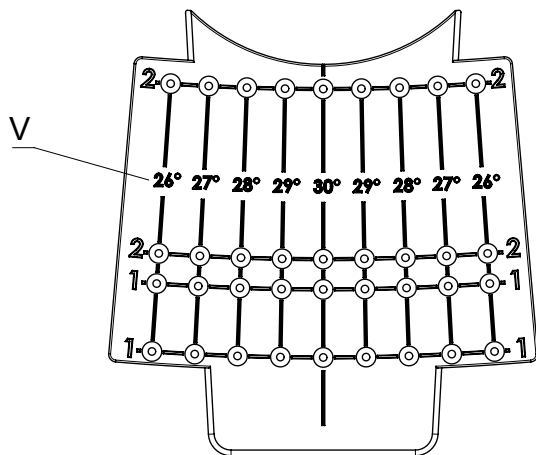
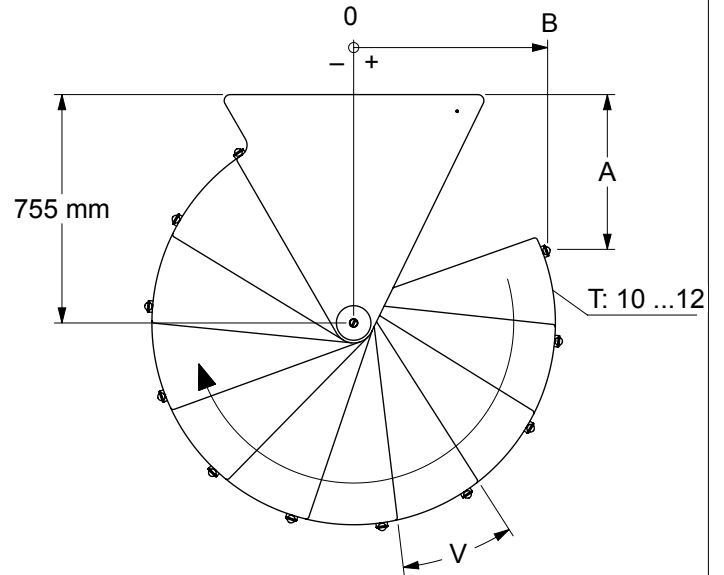
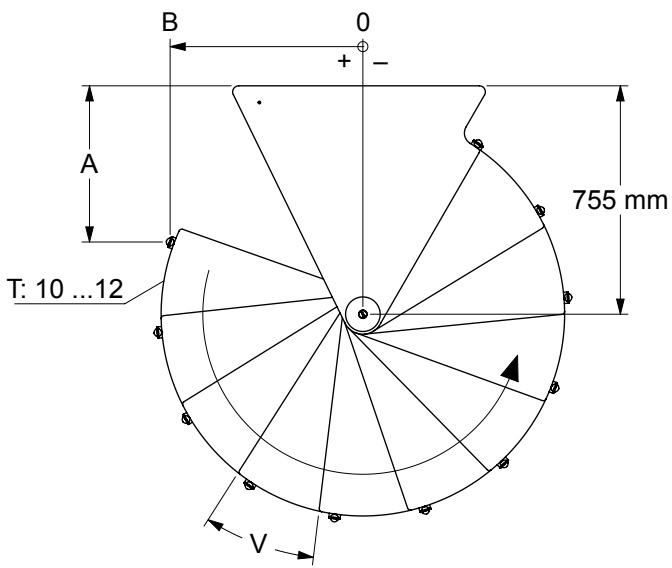
9 				10 				11 														
1 				1 				1 														
T 10				T 11				T 12														
H	N	P		H	N	P		H	N	P		H	N	P								
mm	pcs	pcs	st	mm	pcs	pcs	st	mm	pcs	pcs	st	mm	pcs	pcs	st							
2050	0	0		2205	3	1		2255	0	0		2425	3	1		2460	0	0		2645	3	1
2055	0	1		2210	3	2		2260	0	1		2430	3	2		2465	0	1		2650	3	2
2060	0	2		2215	3	3		2265	0	2		2435	3	3		2470	0	2		2655	3	3
2065	0	3		2220	3	4		2270	0	3		2440	3	4		2475	0	3		2660	3	4
2070	0	4		2225	3	5		2275	0	4		2445	3	5		2480	0	4		2665	3	5
2075	0	5		2230	3	6		2280	0	5		2450	3	6		2485	0	5		2670	3	6
2080	0	6		2235	3	7		2285	0	6		2455	3	7		2490	0	6		2675	3	7
2085	0	7		2240	3	8		2290	0	7		2460	3	8		2495	0	7		2680	3	8
2090	0	8		2245	3	9		2295	0	8		2465	3	9		2500	0	8		2685	3	9
2095	0	9		2250	4	0		2300	0	9		2470	3	10		2505	0	9		2690	3	10
2100	1	0		2255	4	1		2305	0	10		2475	4	0		2510	0	10		2695	3	11
2105	1	1		2260	4	2		2310	1	0		2480	4	1		2515	0	11		2700	4	0
2110	1	2		2265	4	3		2315	1	1		2485	4	2		2520	1	0		2705	4	1
2115	1	3		2270	4	4		2320	1	2		2490	4	3		2525	1	1		2710	4	2
2120	1	4		2275	4	5		2325	1	3		2495	4	4		2530	1	2		2715	4	3
2125	1	5		2280	4	6		2330	1	4		2500	4	5		2535	1	3		2720	4	4
2130	1	6		2285	4	7		2335	1	5		2505	4	6		2540	1	4		2725	4	5
2135	1	7		2290	4	8		2340	1	6		2510	4	7		2545	1	5		2730	4	6
2140	1	8		2295	4	9		2345	1	7		2515	4	8		2550	1	6		2735	4	7
2145	1	9		2300	5	0		2350	1	8		2520	4	9		2555	1	7		2740	4	8
2150	2	0		2305	5	1		2355	1	9		2525	4	10		2560	1	8		2745	4	9
2155	2	1		2310	5	2		2360	1	10		2530	5	0		2565	1	9		2750	4	10
2160	2	2		2315	5	3		2365	2	0		2535	5	1		2570	1	10		2755	4	11
2165	2	3		2320	5	4		2370	2	1		2540	5	2		2575	1	11		2760	5	0
2170	2	4		2325	5	5		2375	2	2		2545	5	3		2580	2	0		2765	5	1
2175	2	5		2330	5	6		2380	2	3		2550	5	4		2585	2	1		2770	5	2
2180	2	6		2335	5	7		2385	2	4		2555	5	5		2590	2	2		2775	5	3
2185	2	7		2340	5	8		2390	2	5		2560	5	6		2595	2	3		2780	5	4
2190	2	8		2345	5	9		2395	2	6		2565	5	7		2600	2	4		2785	5	5
2195	2	9		2350	6	0		2400	2	7		2570	5	8		2605	2	5		2790	5	6
2200	3	0						2405	2	8		2575	5	9		2610	2	6		2795	5	7
								2410	2	9		2580	5	10		2615	2	7		2800	5	8
								2415	2	10		2585	6	0		2620	2	8		2805	5	9
								2420	3	0						2625	2	9		2810	5	10
																2630	2	10		2815	5	11
																2635	2	11		2820	6	0
																2640	3	0				

∅ 120 cm

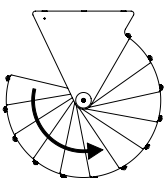
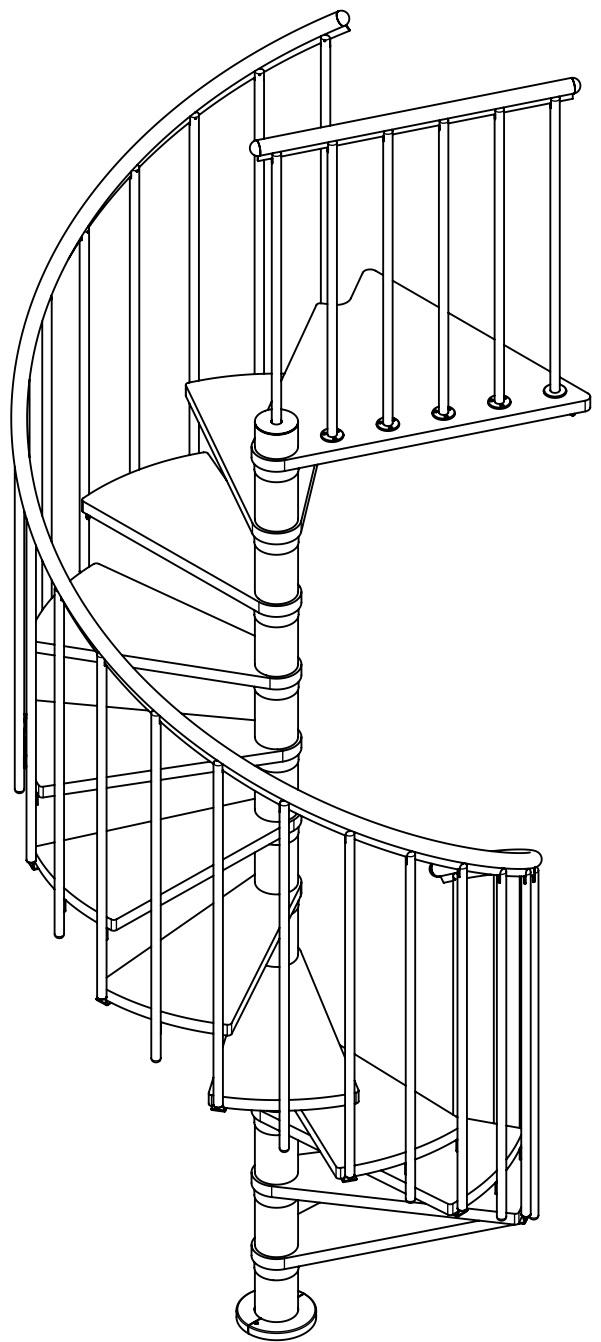
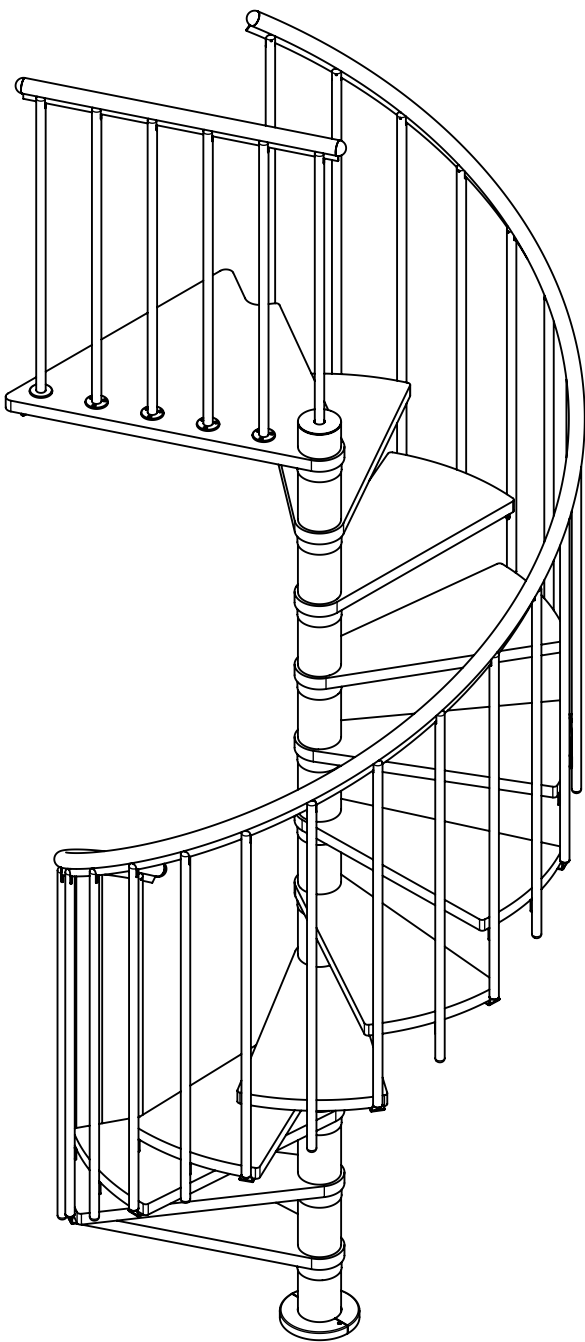
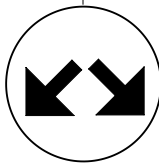


∅ 120 cm			
T	V	A	B
	°	mm	mm
10	26	1046	429
	27	865	541
	28	656	580
	29	447	542
11	30	285	431
	26	862	542
	27	629	580
	28	400	522
12	29	214	377
	30	100	170
	26	650	580
	27	398	520
12	28	197	356
	29	87	121
	30	91	-138

∅ 140 cm



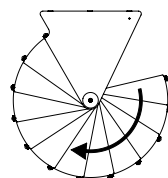
∅ 140 cm			
T	V	A	B
	°	mm	mm
10	26	1203	513
	27	1022	626
	28	816	678
	29	603	663
11	30	405	584
	26	982	642
	27	749	680
	28	516	637
12	29	313	517
	30	162	334
	26	729	680
	27	476	621
12	28	264	471
	29	123	253
	30	75	-3



Left
Links
Gauche



1 L

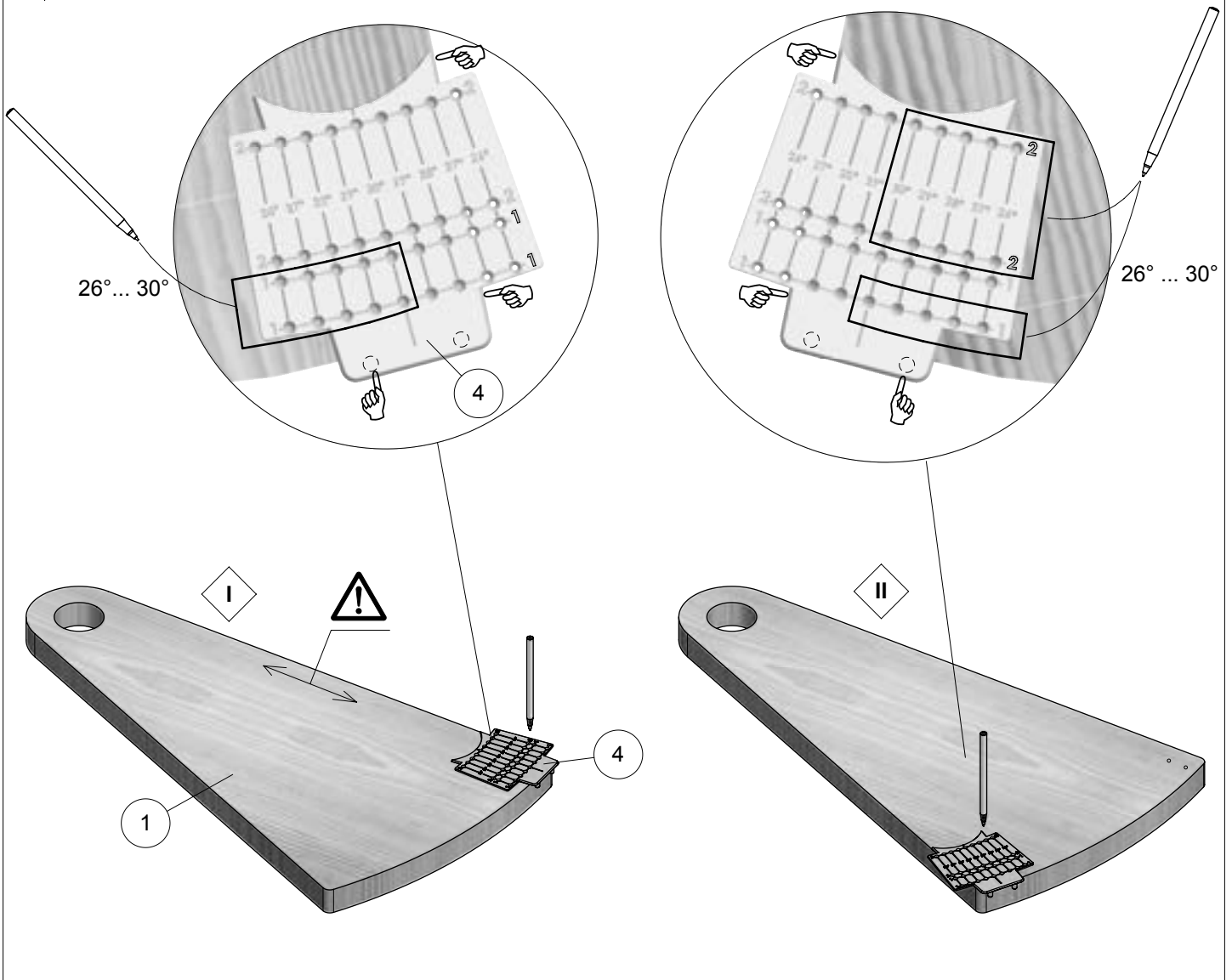


Right
Recht
Droite

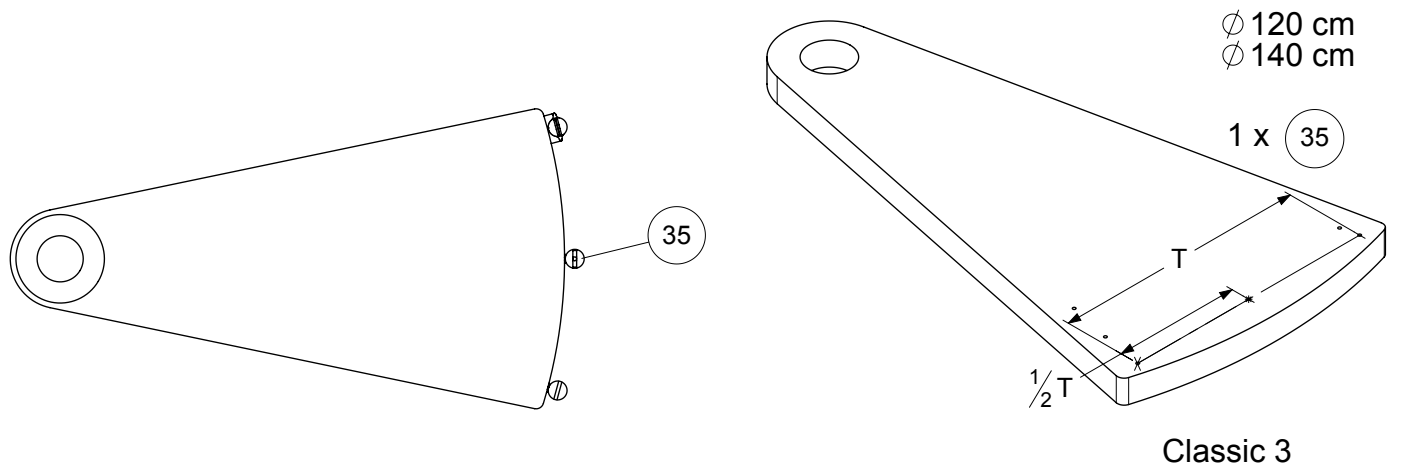


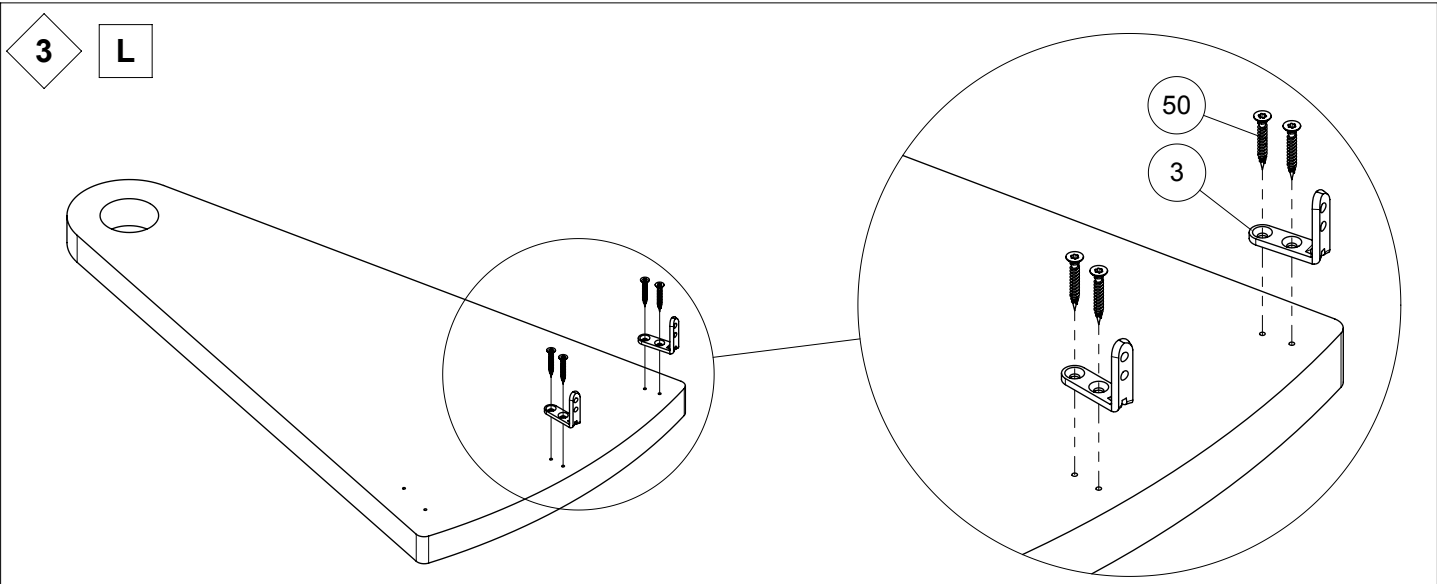
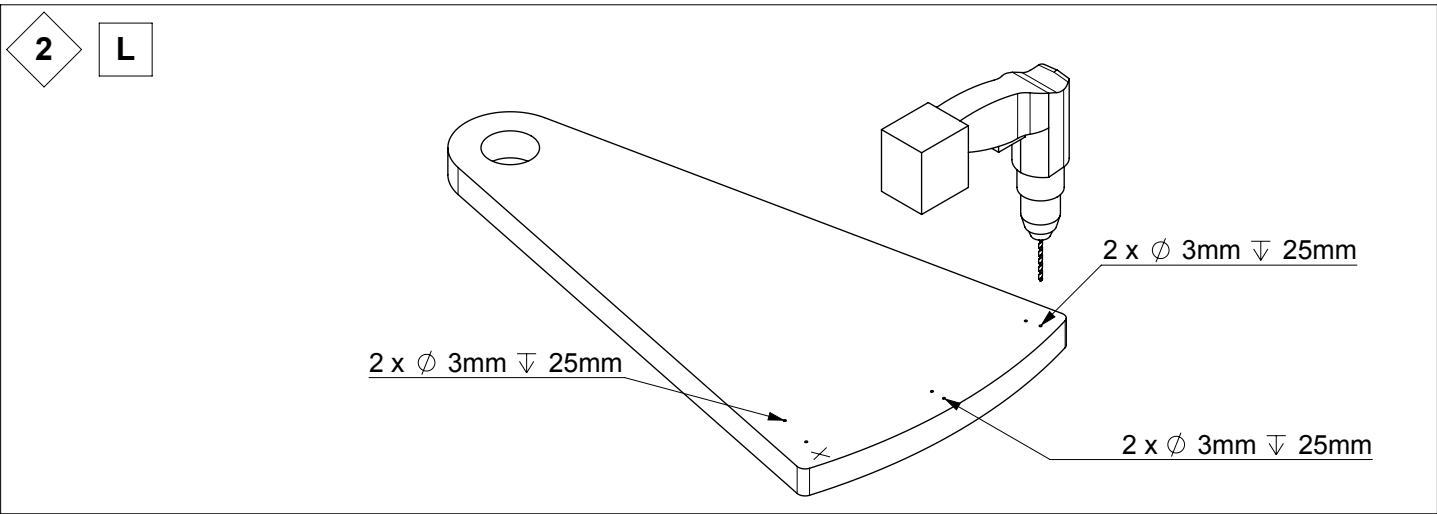
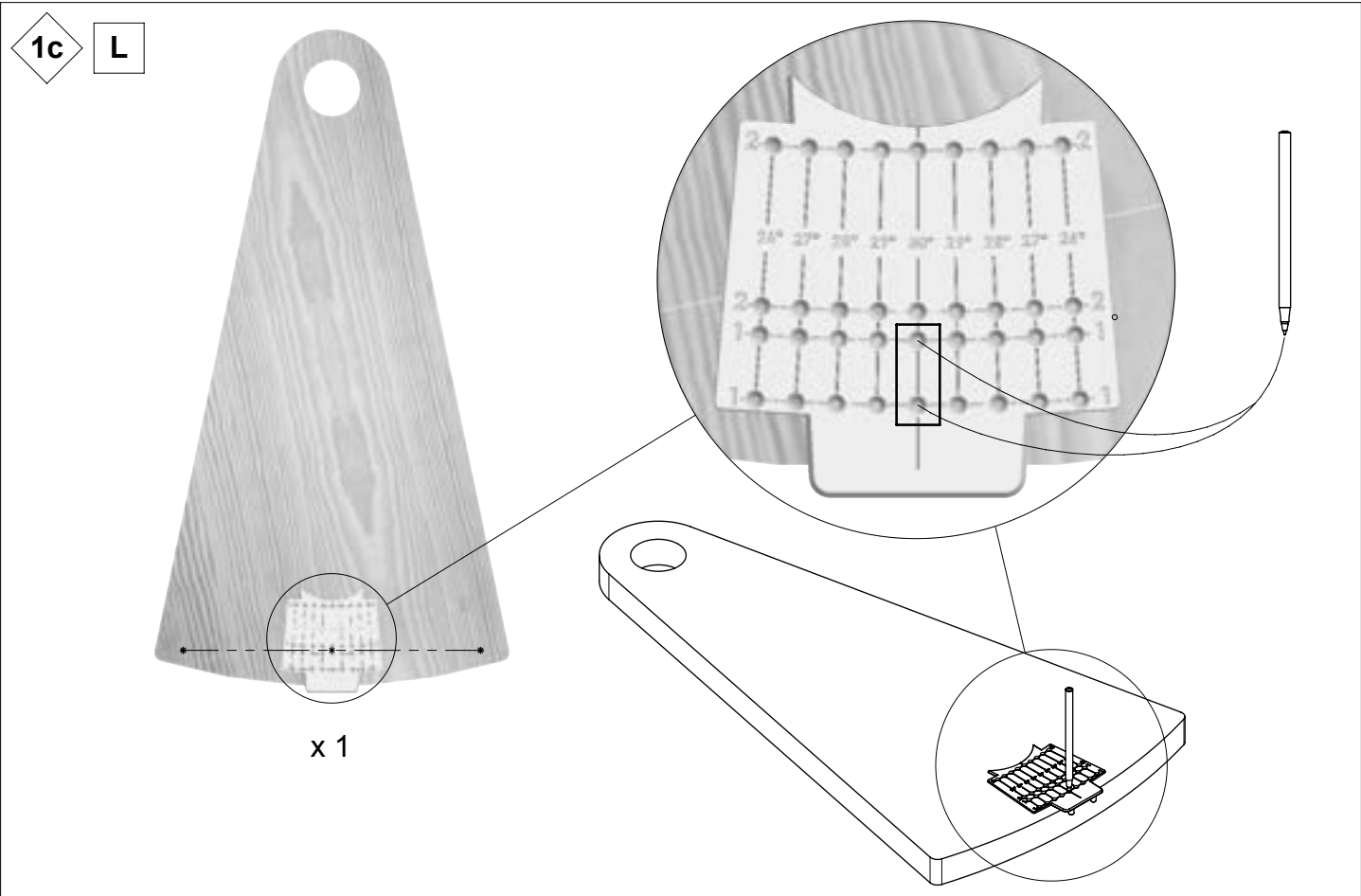
1 R

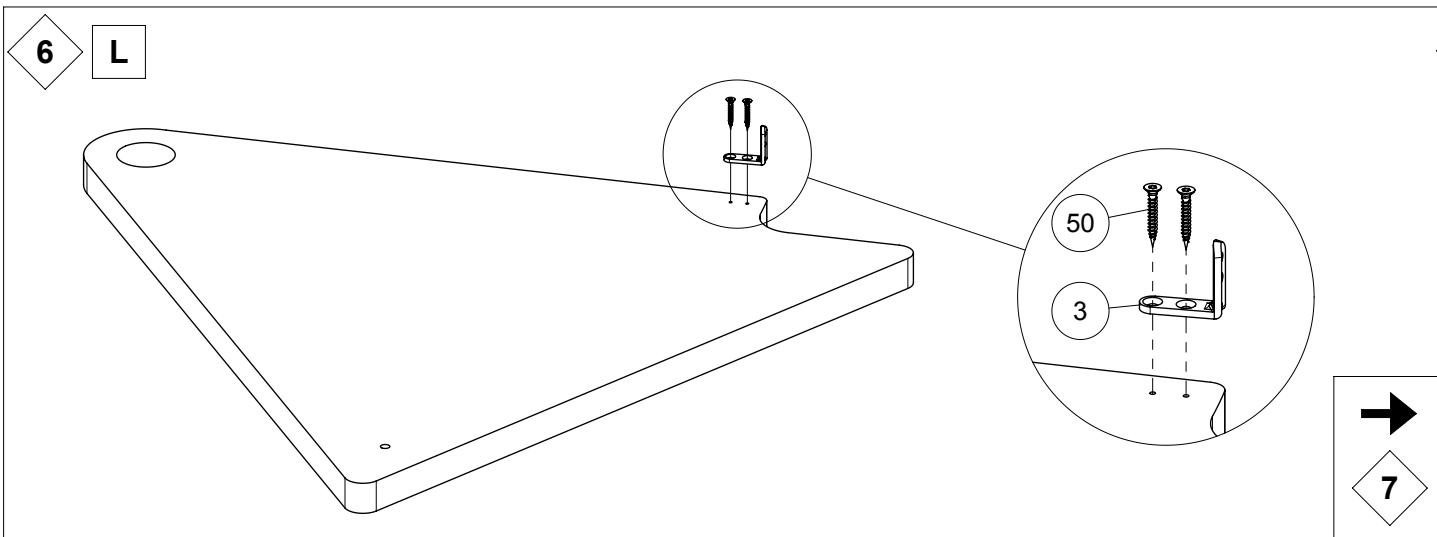
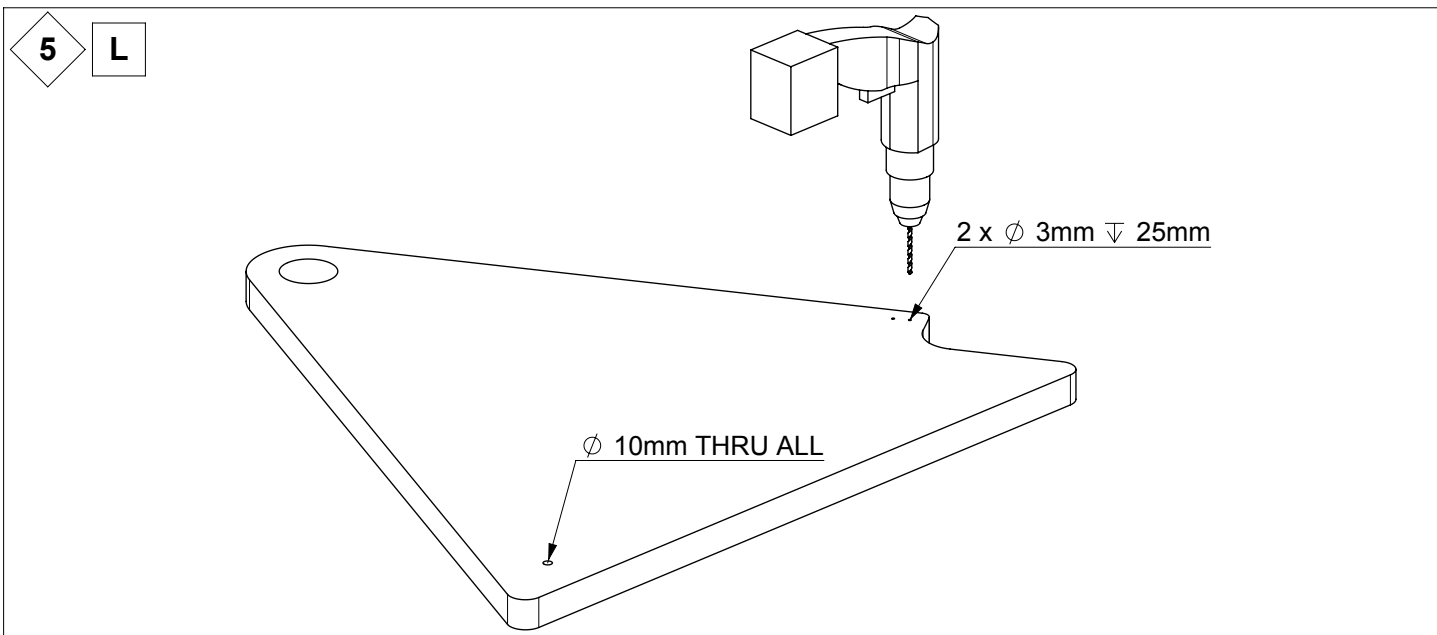
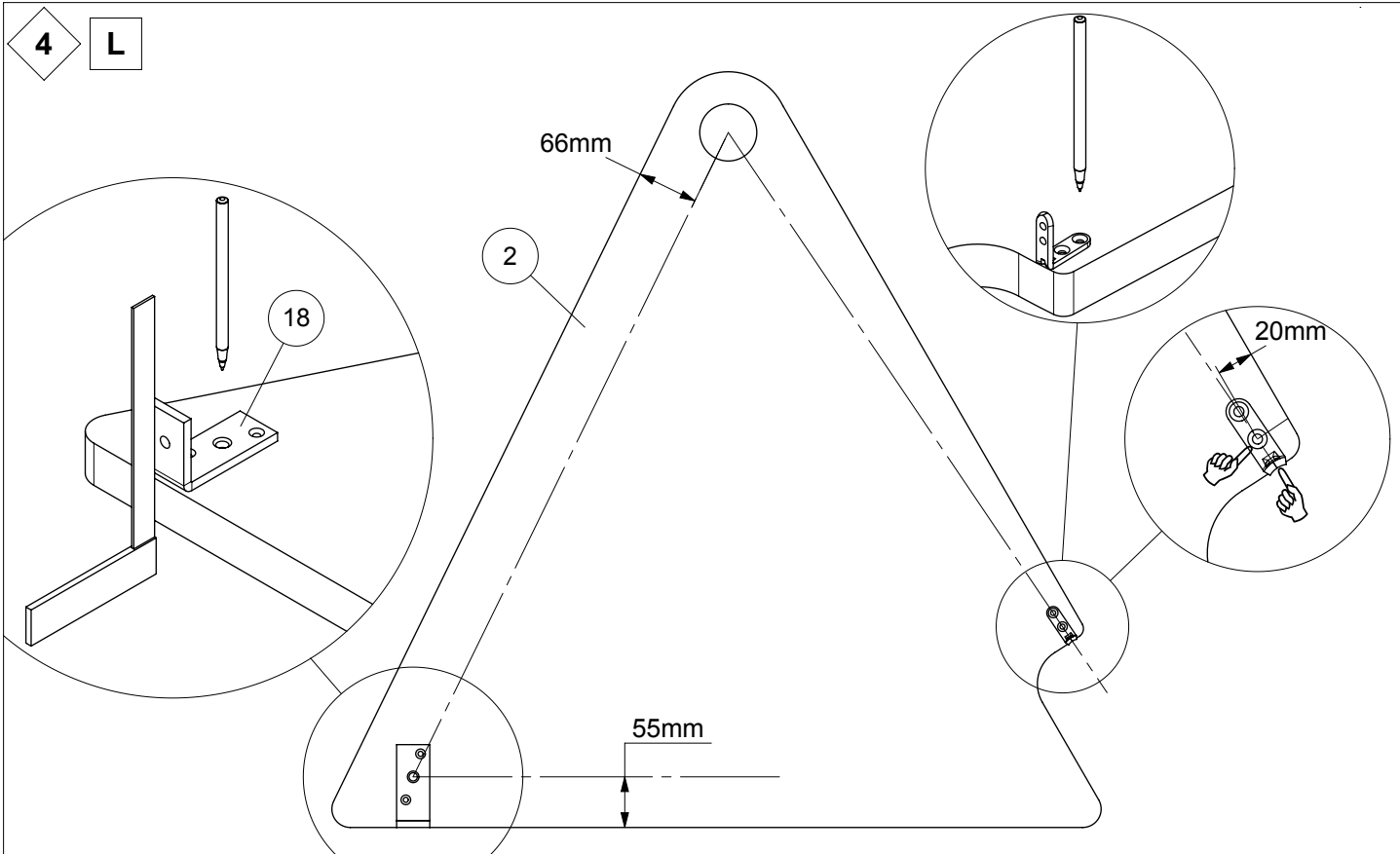
1a L



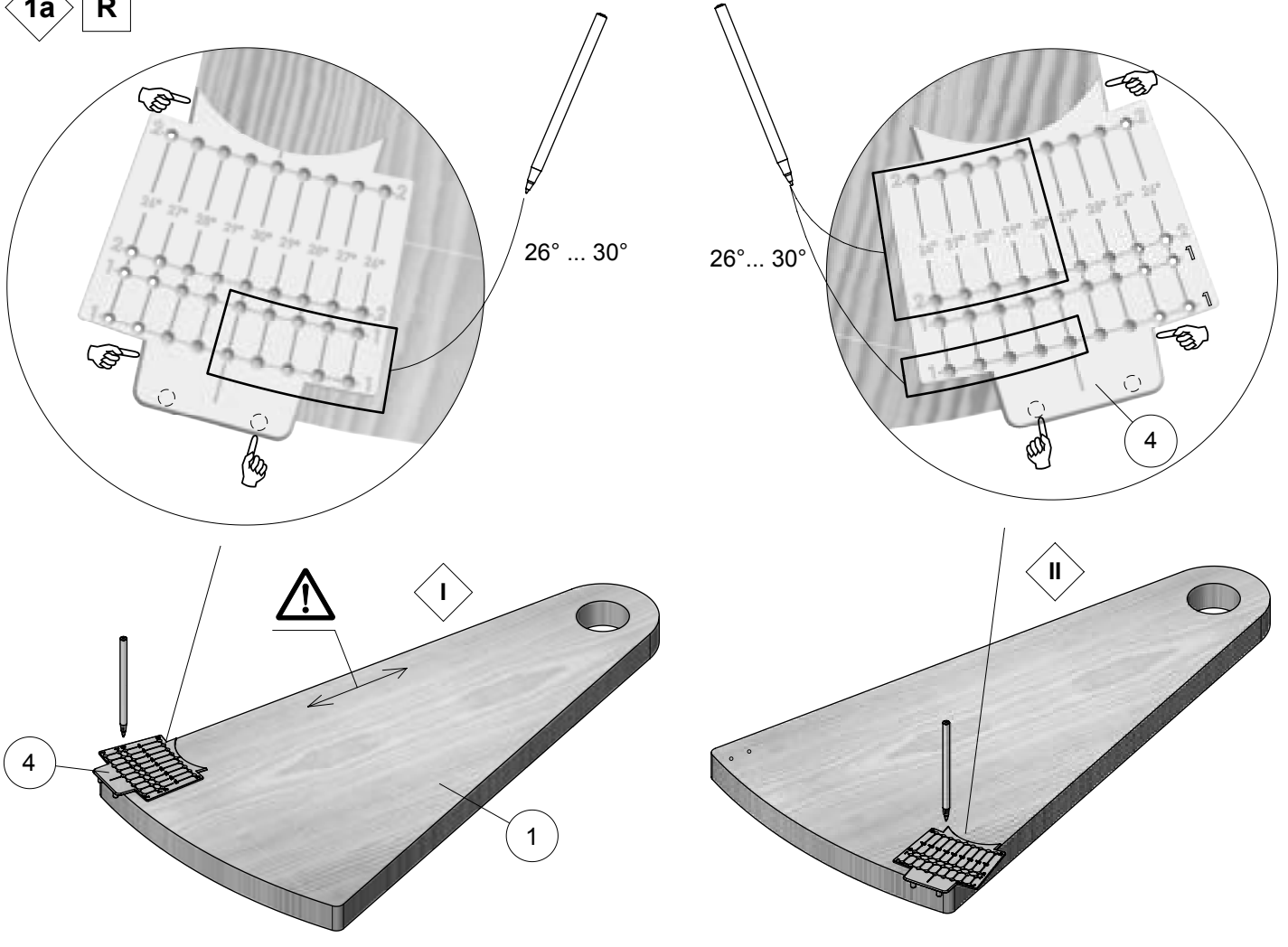
1b L



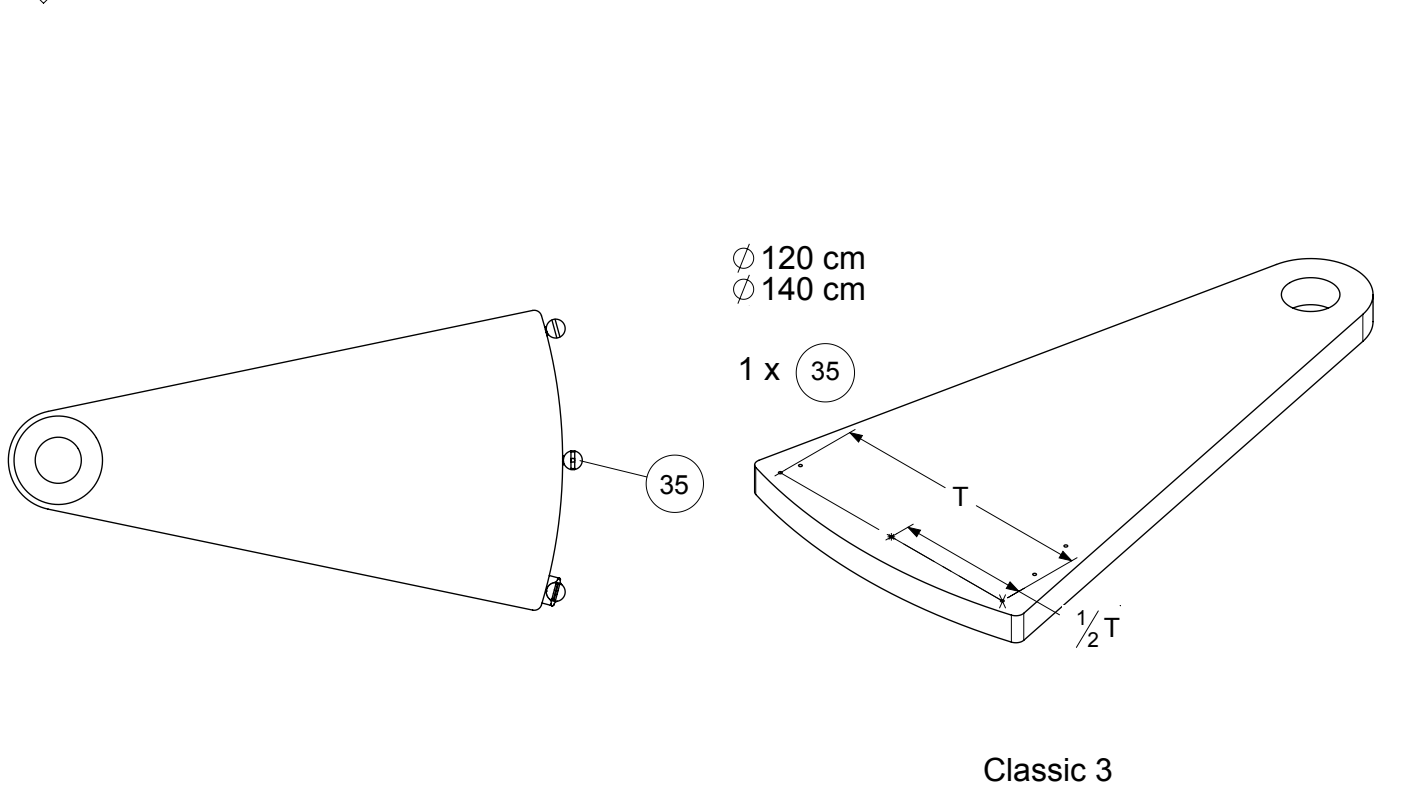




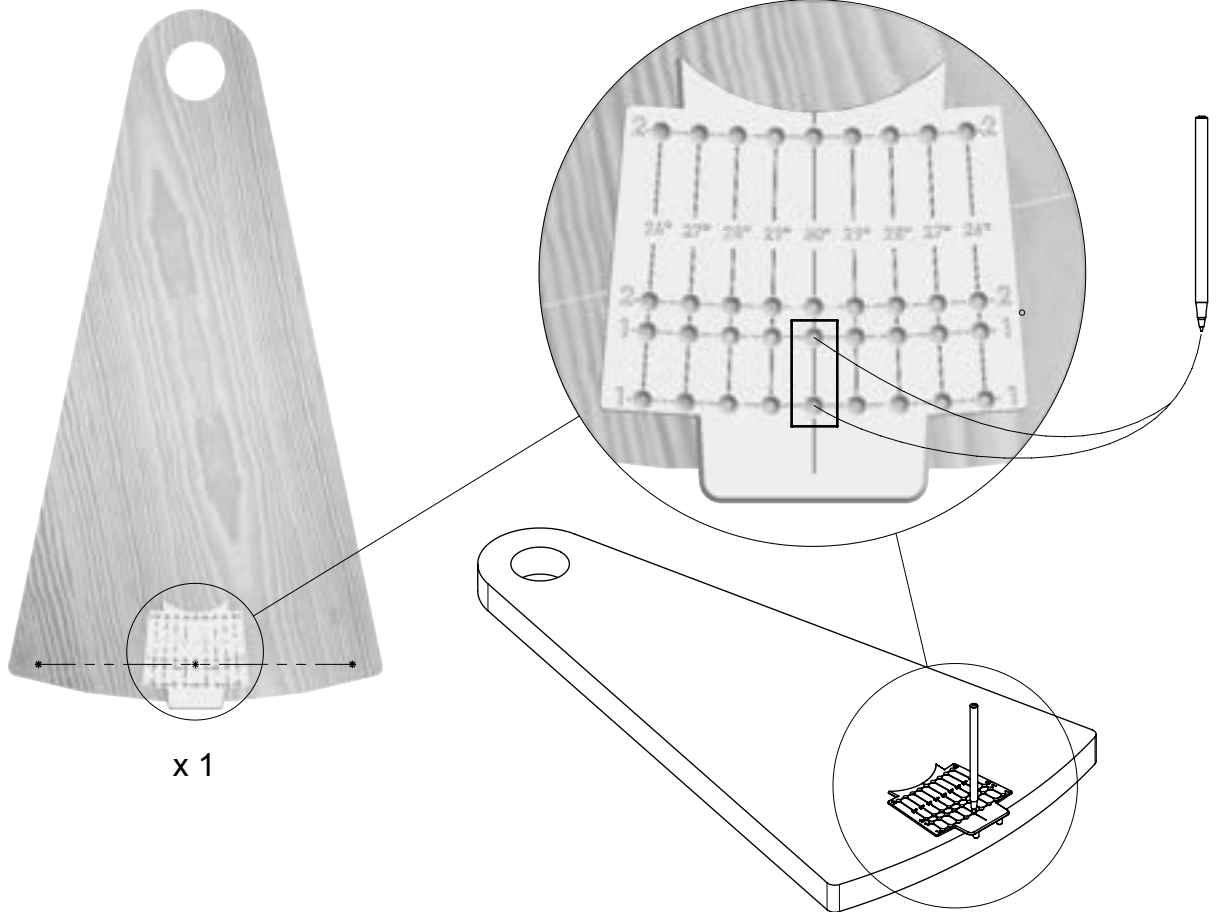
1a **R**



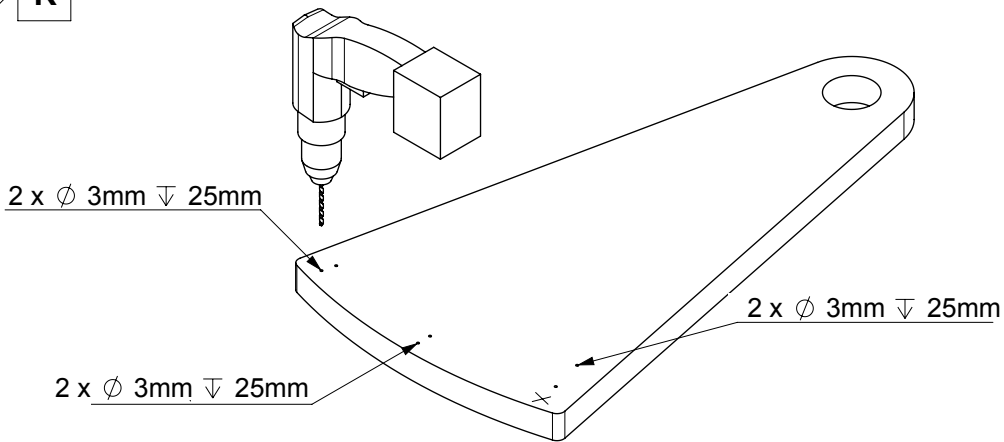
1b **R**



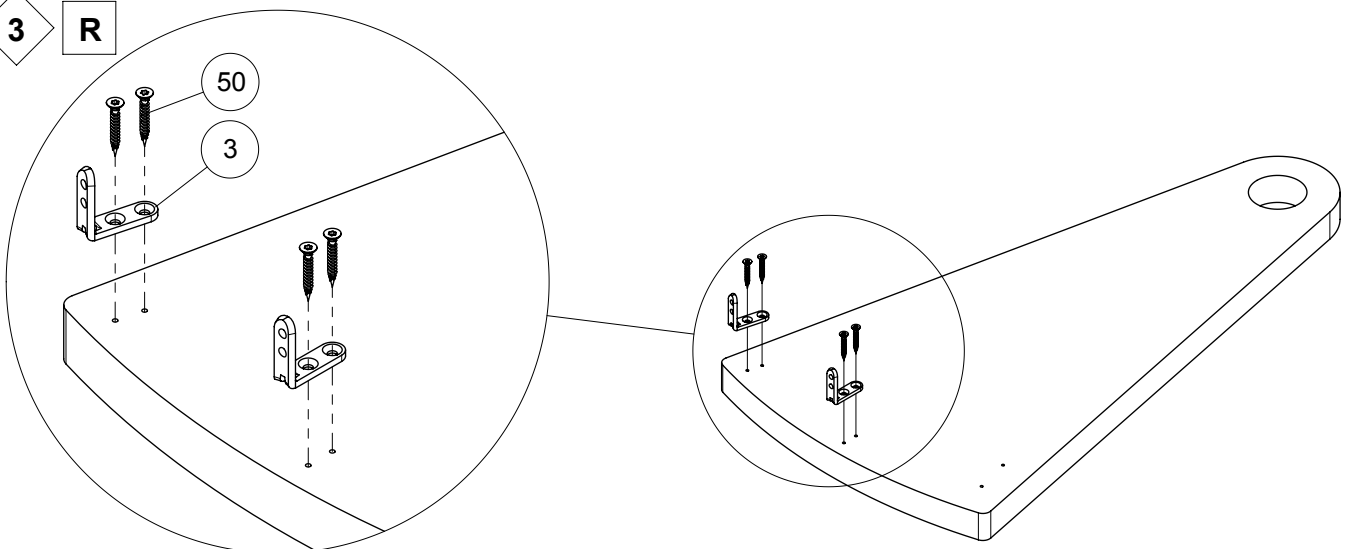
1c R

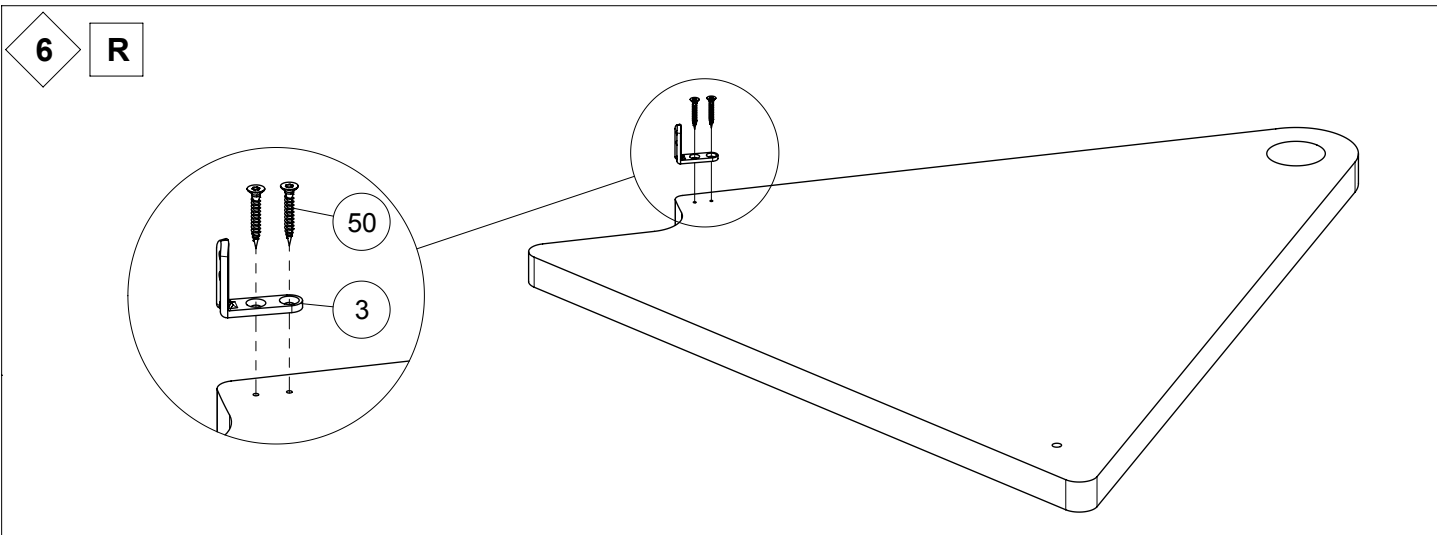
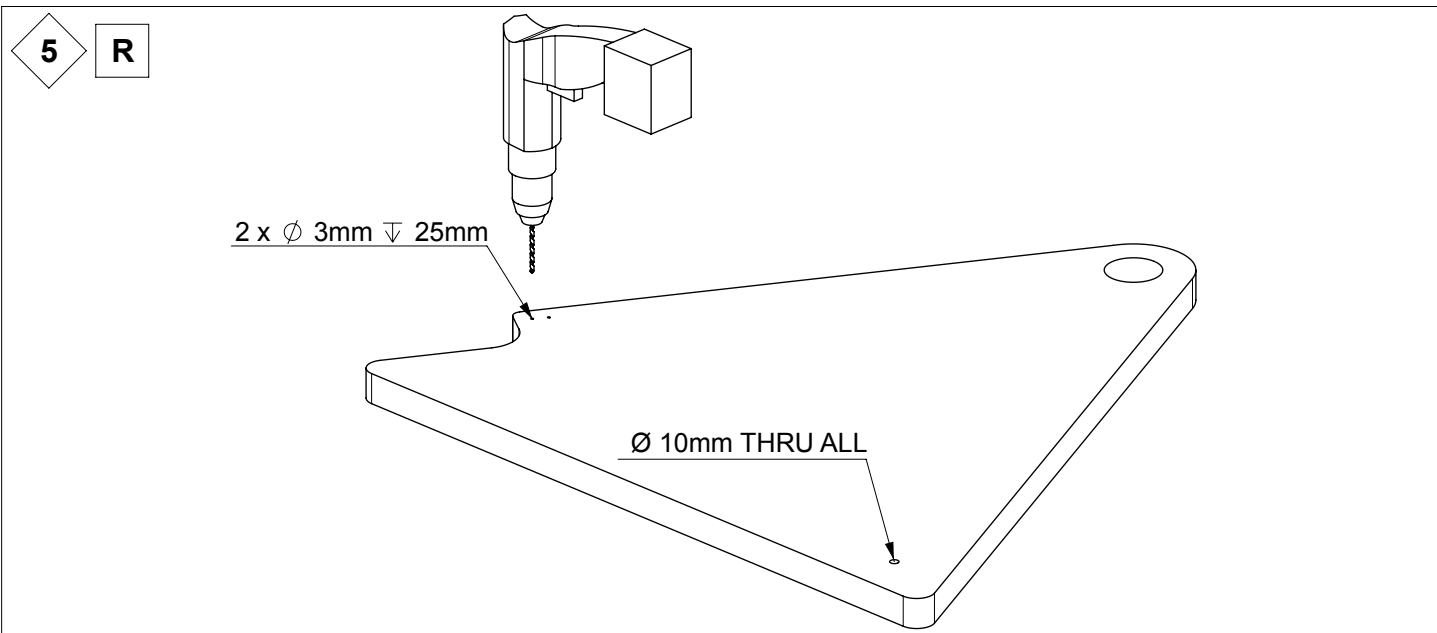
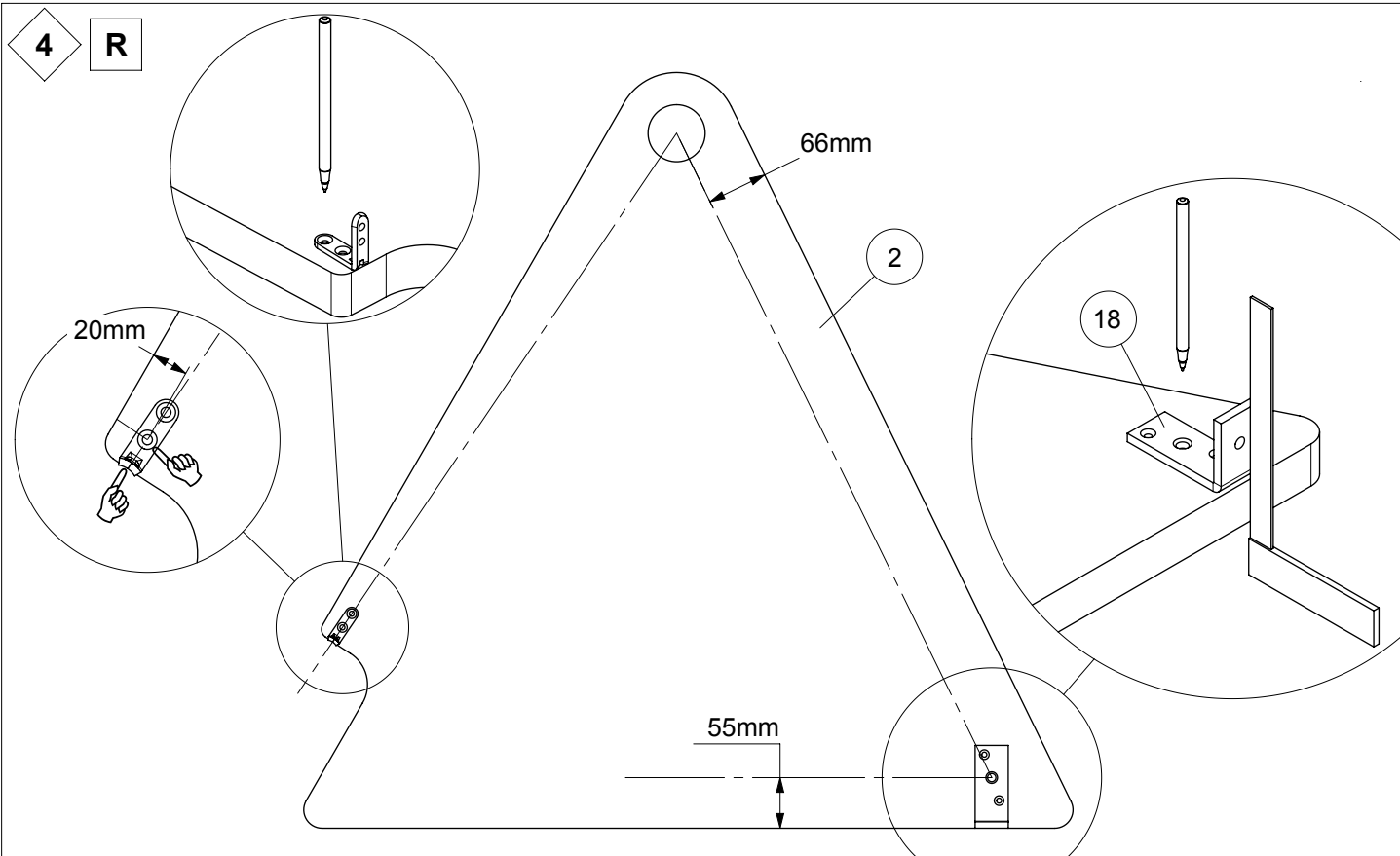


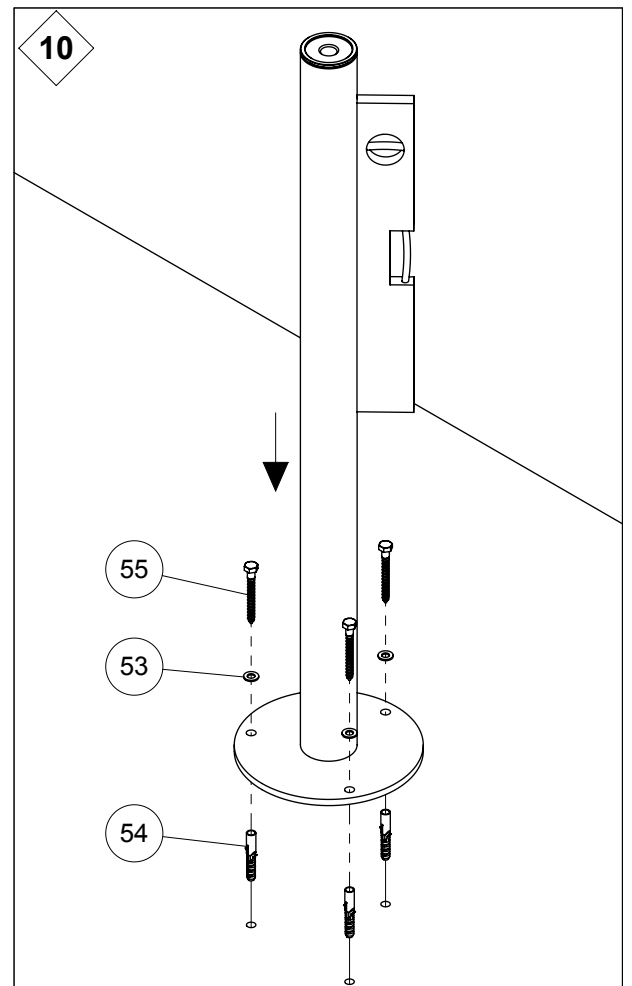
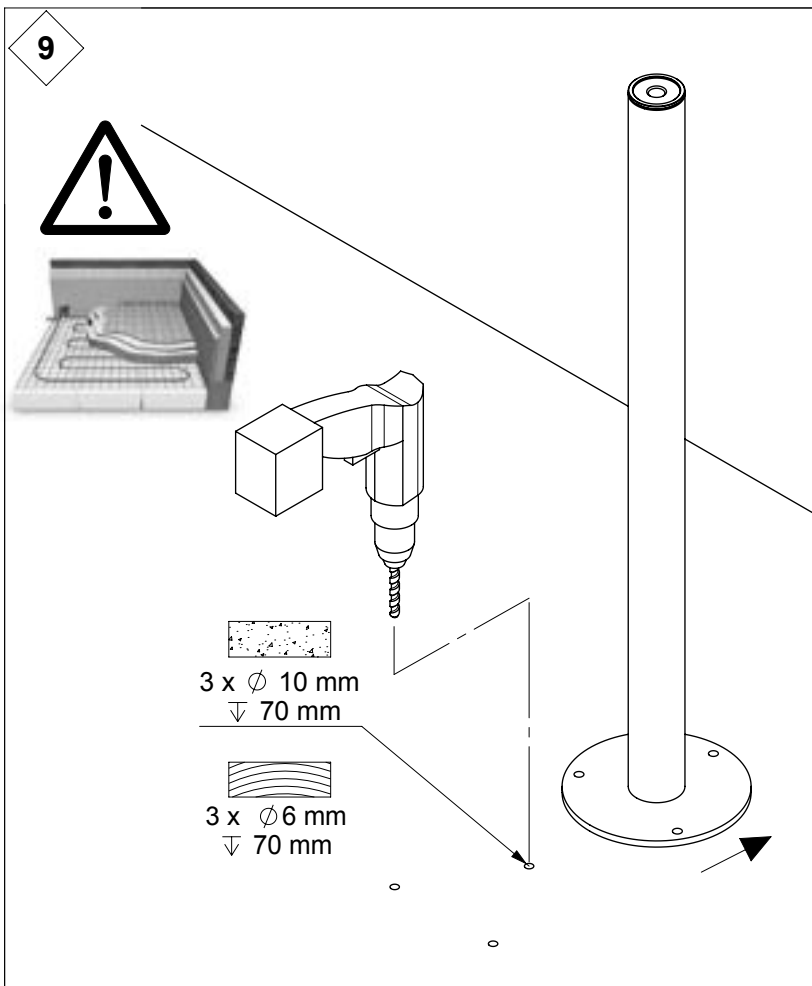
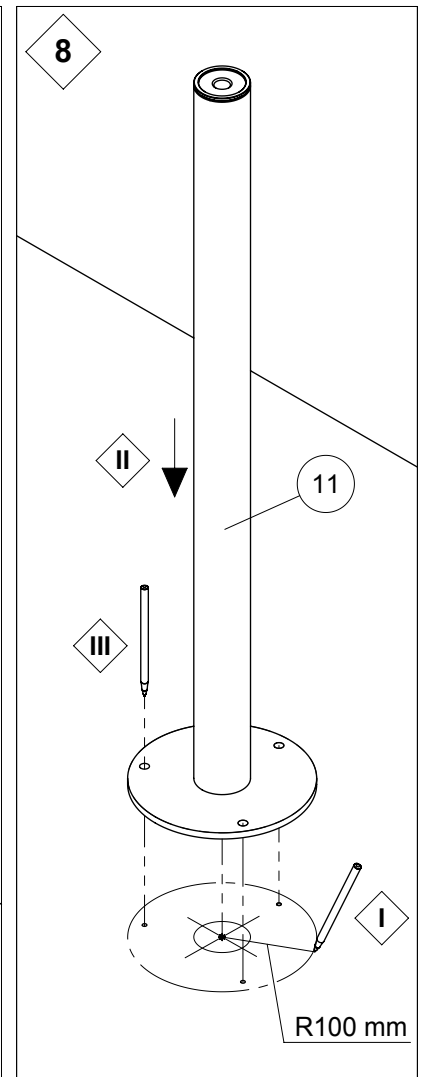
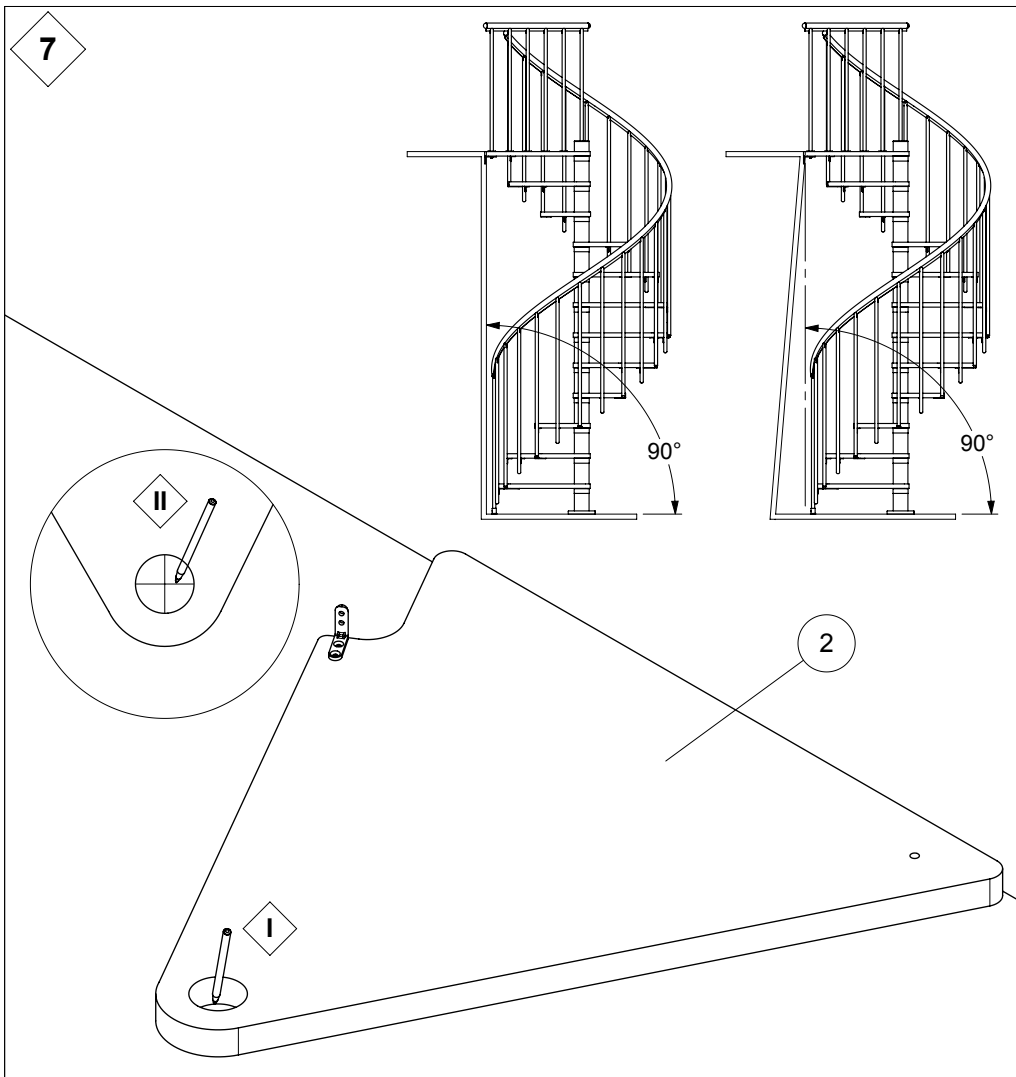
2 R

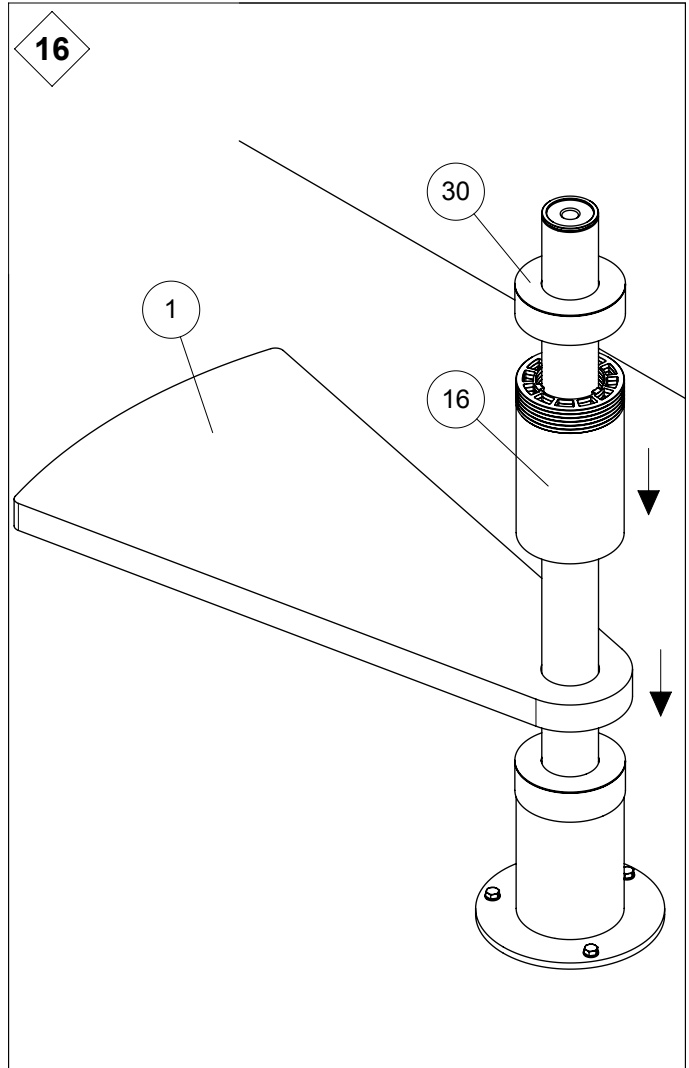
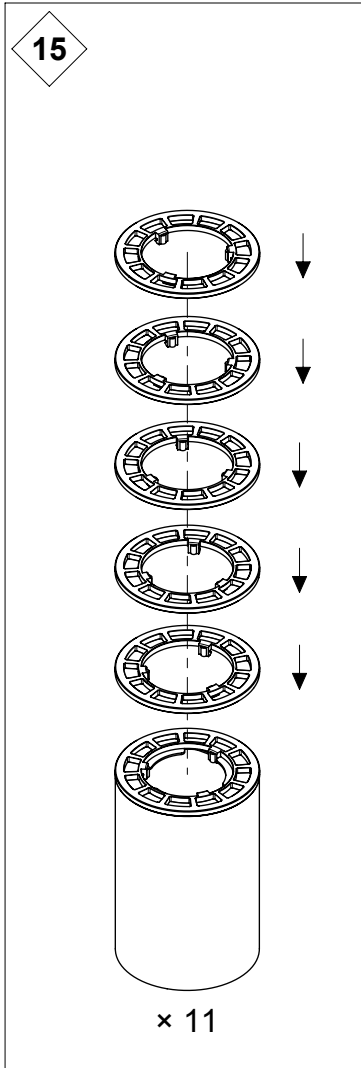
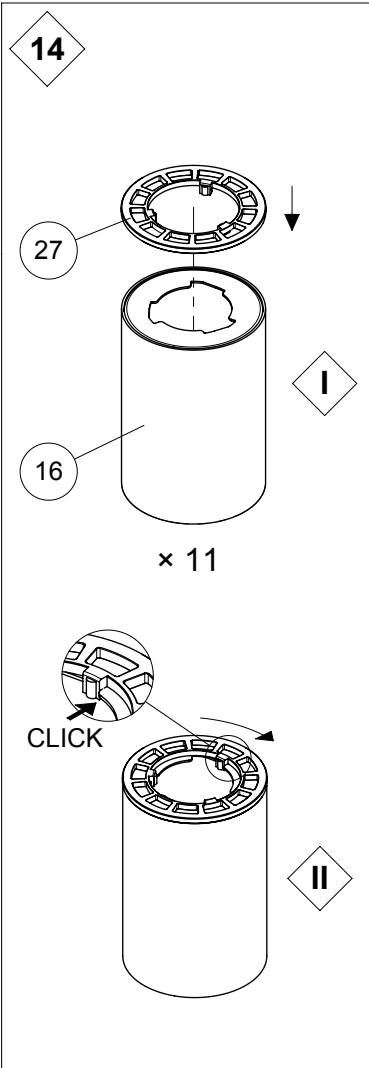
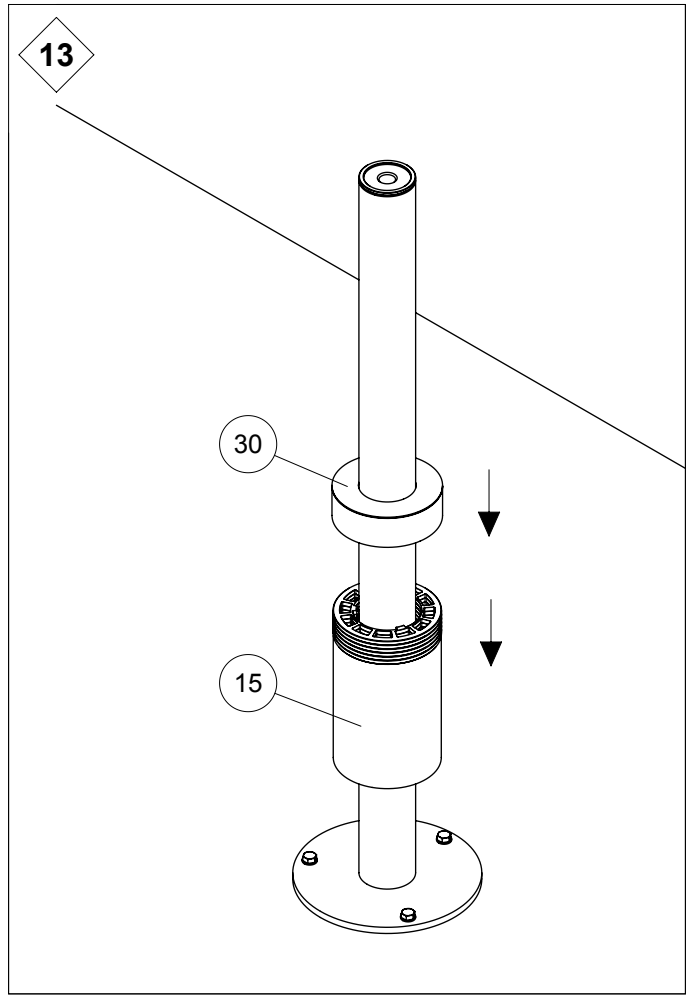
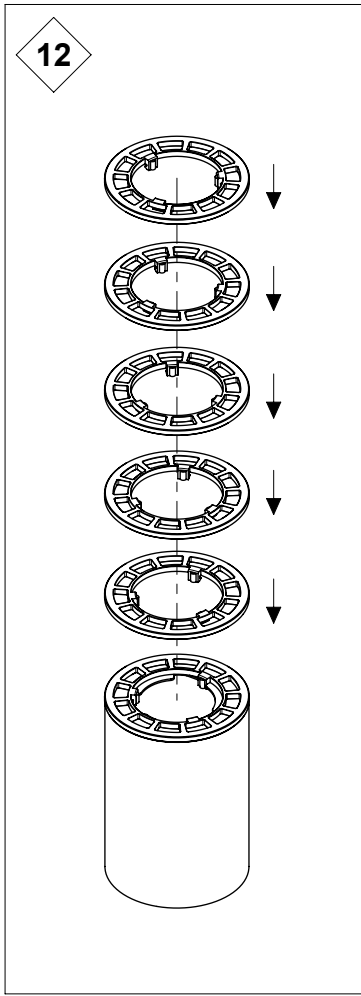
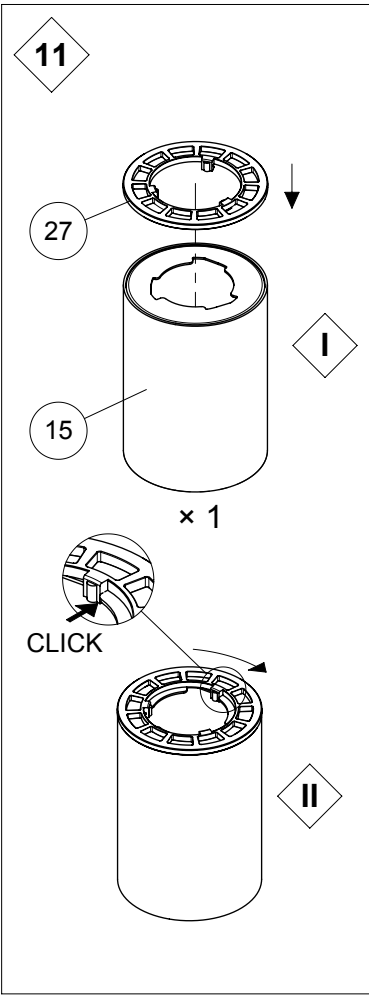


3 R

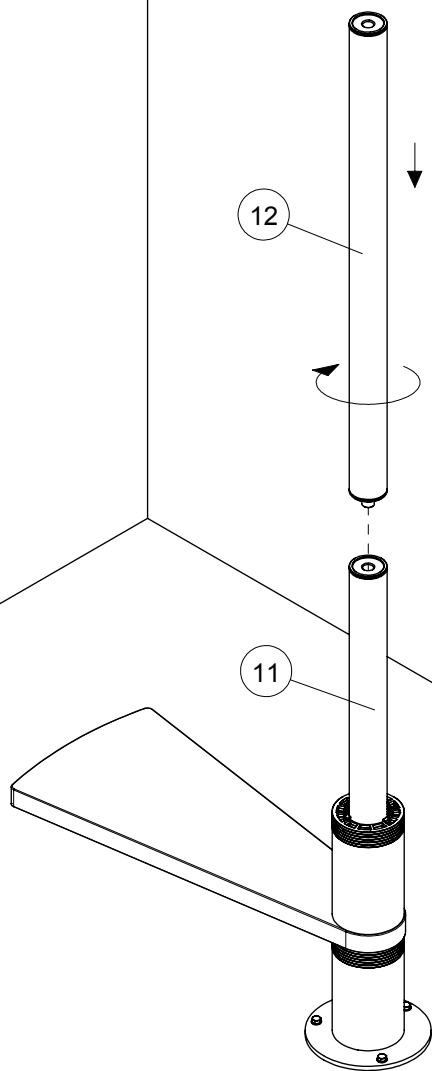




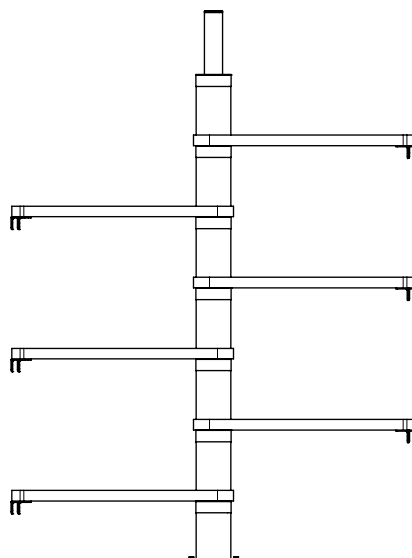
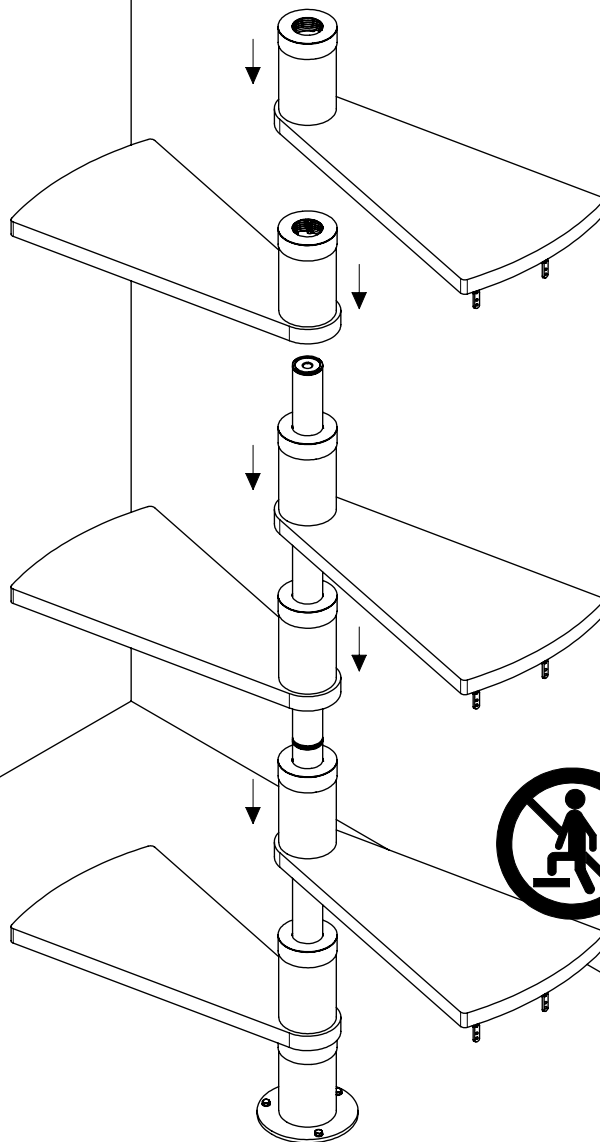


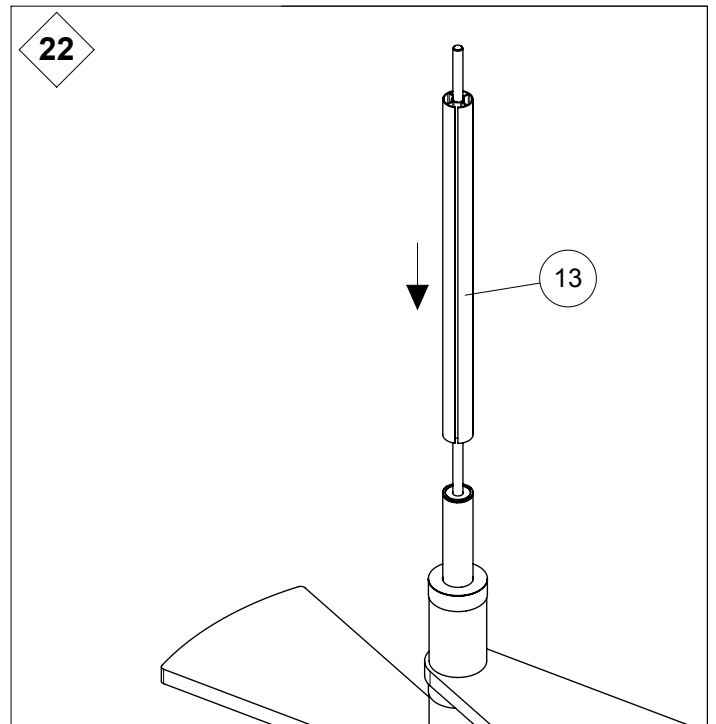
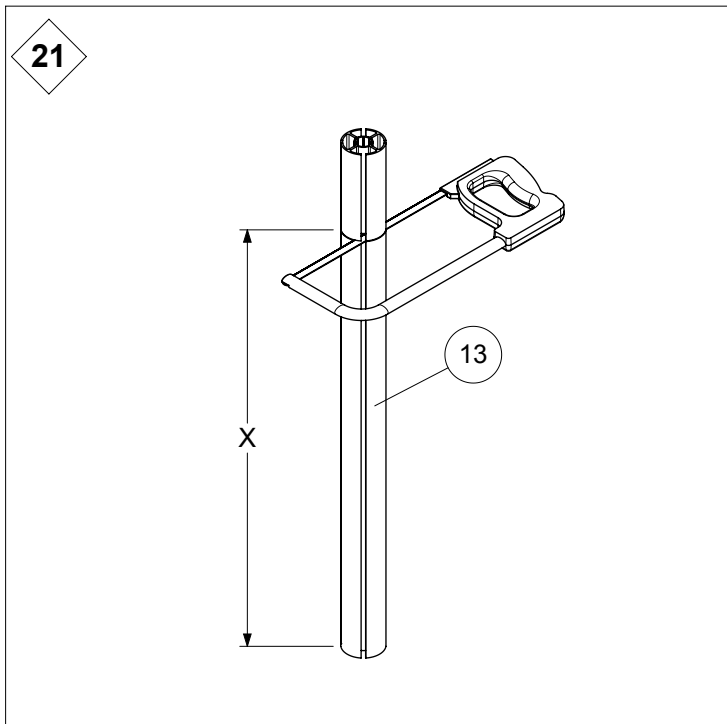
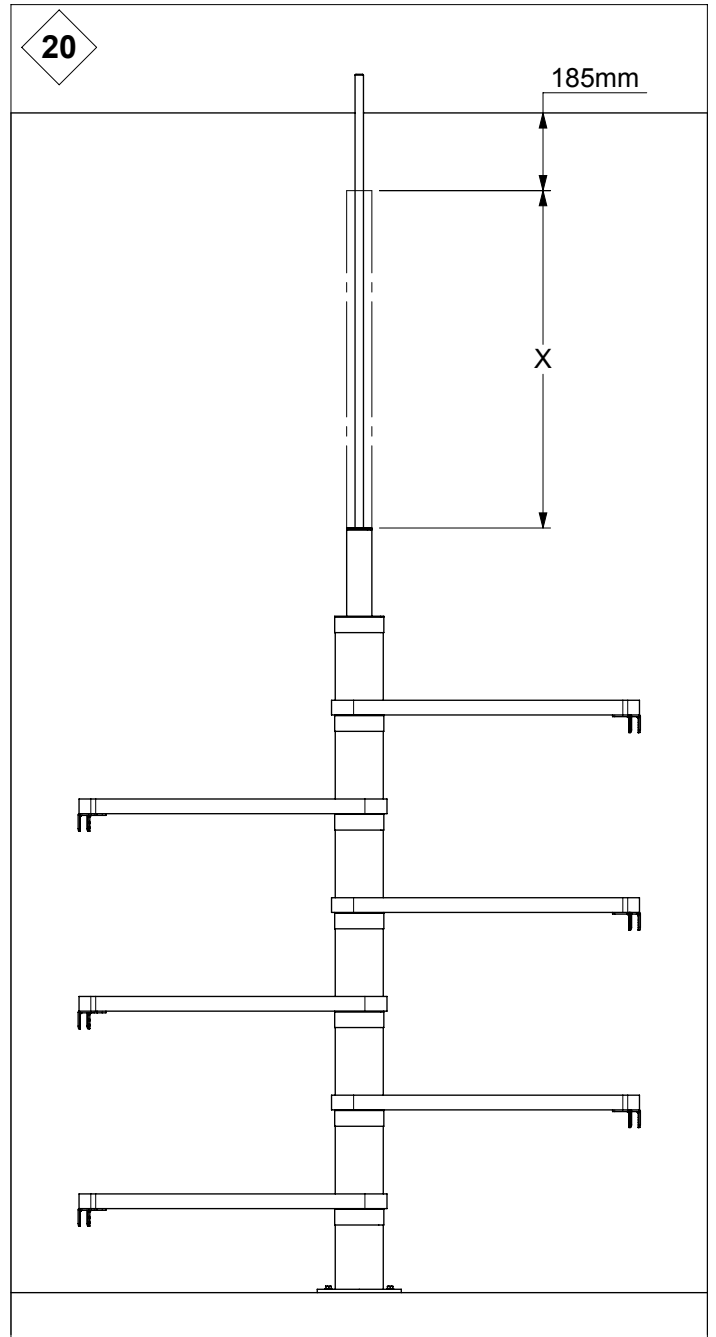
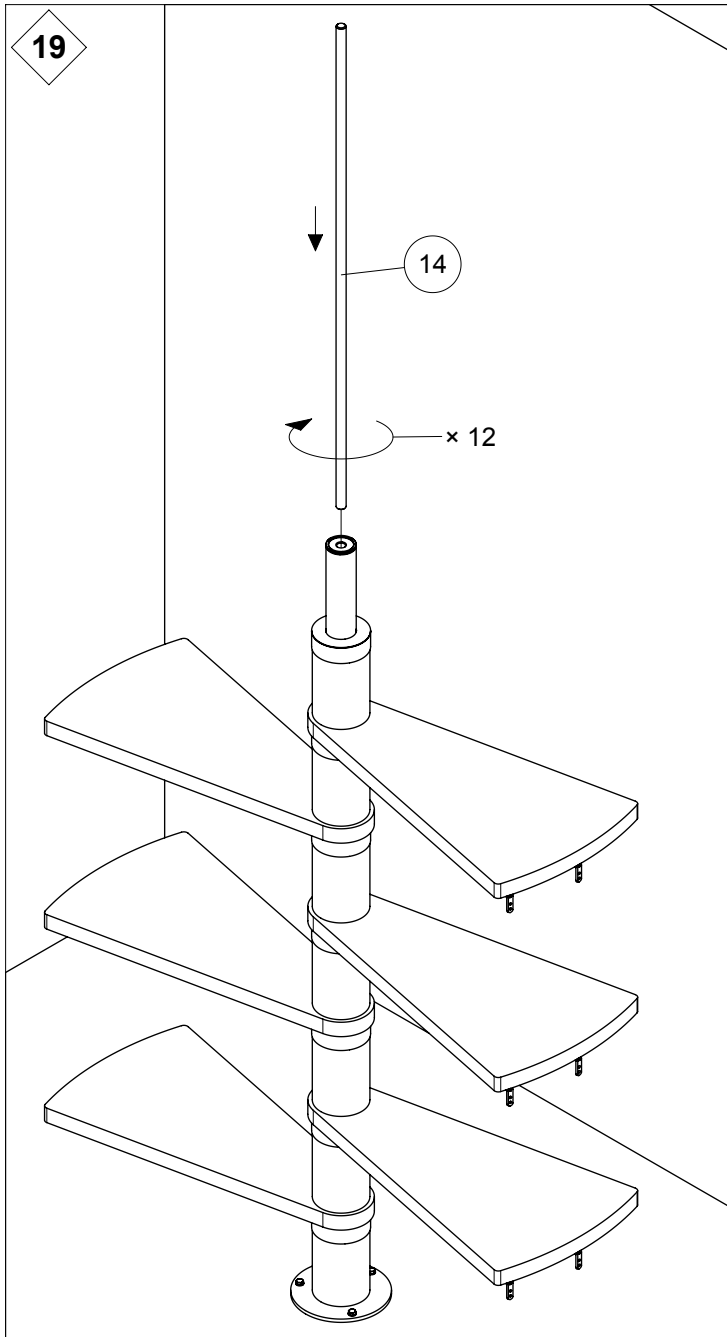


17

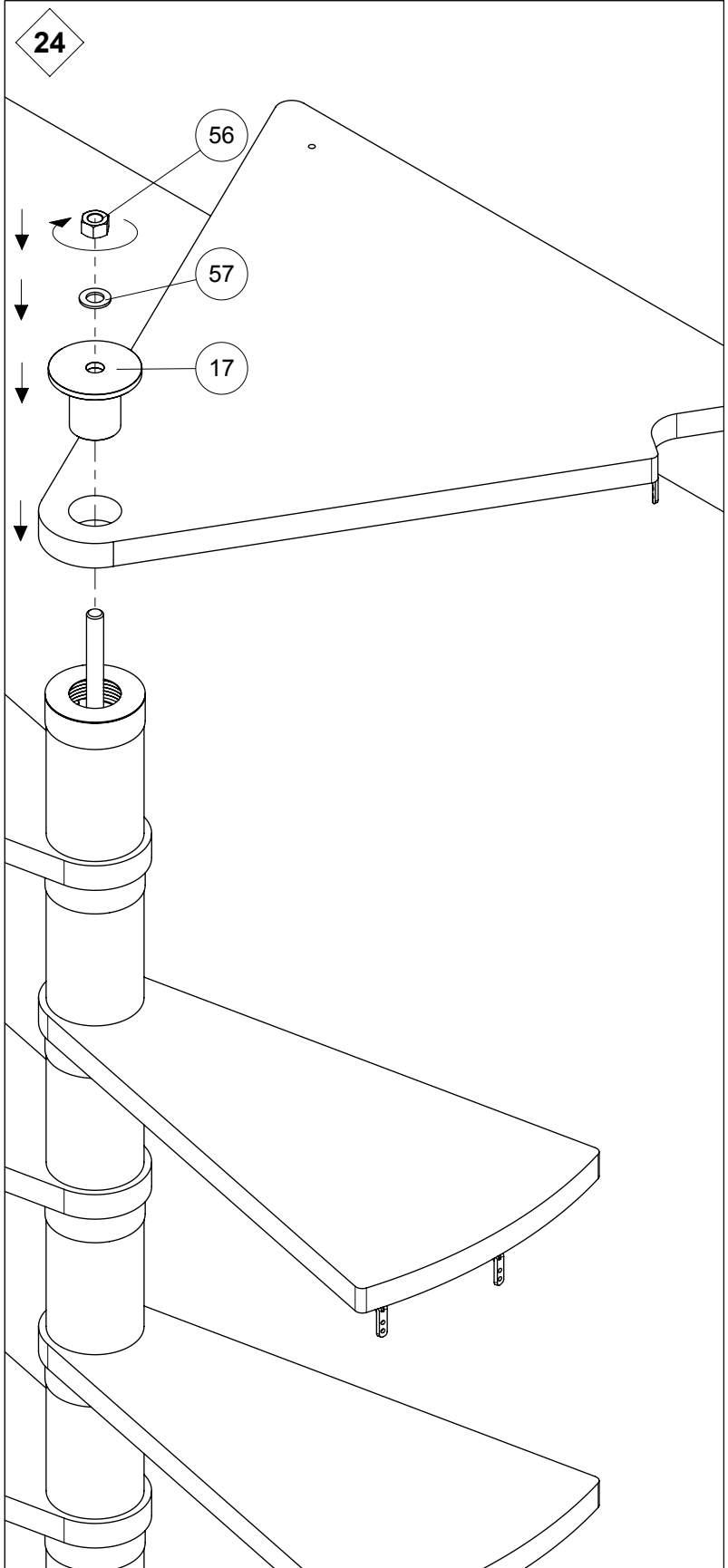
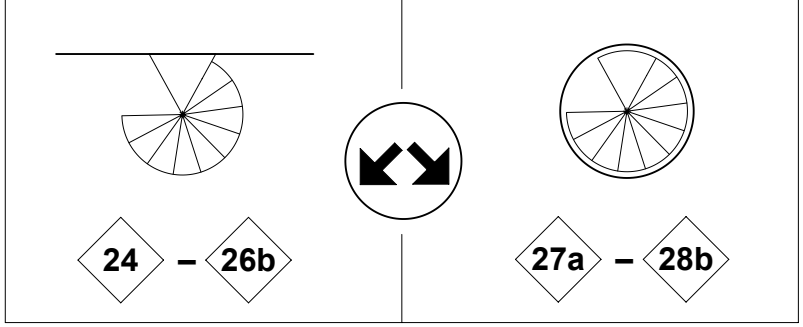
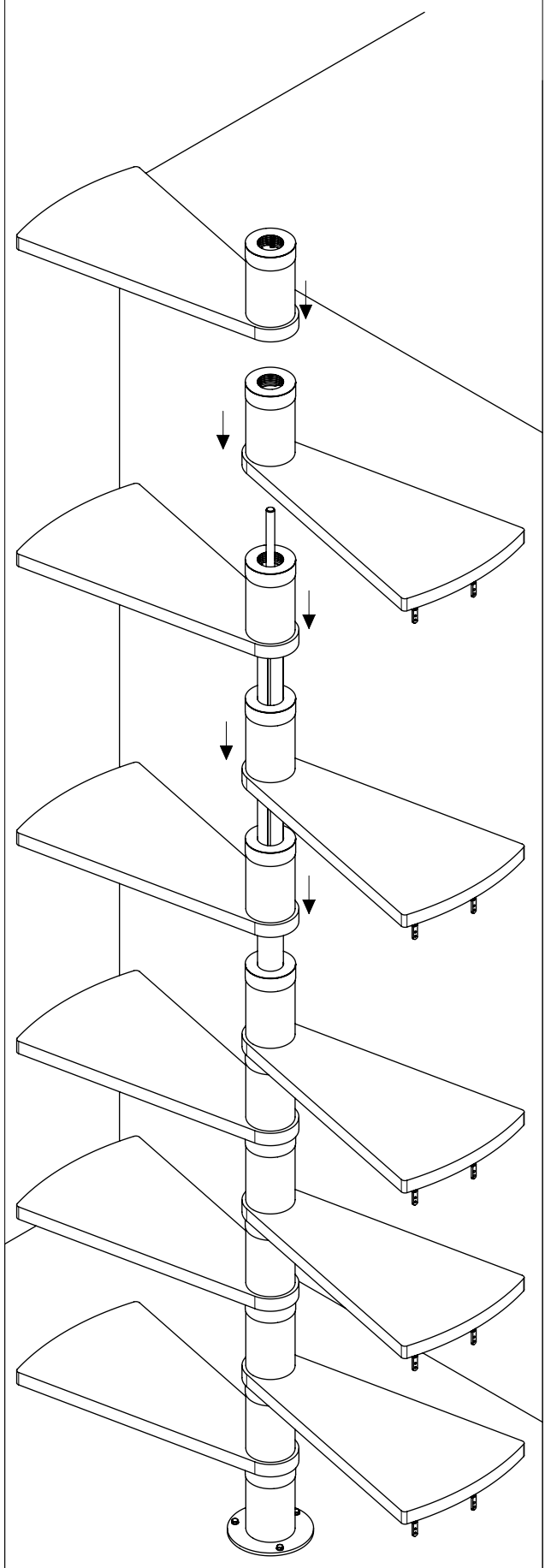


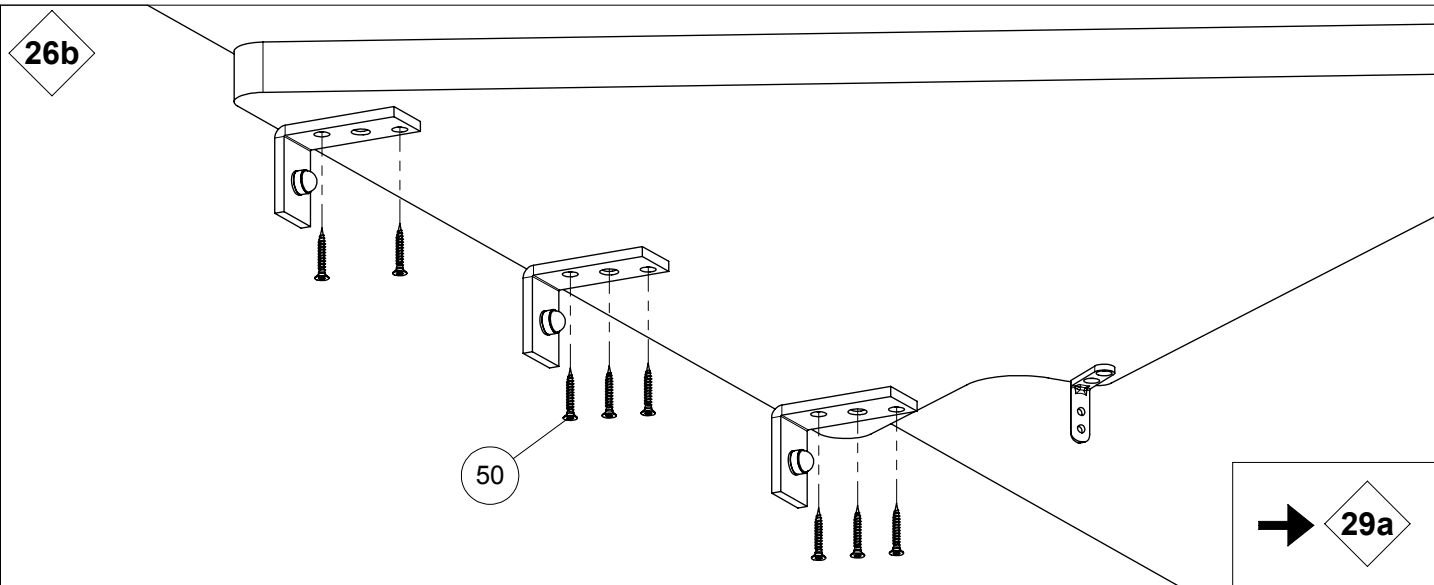
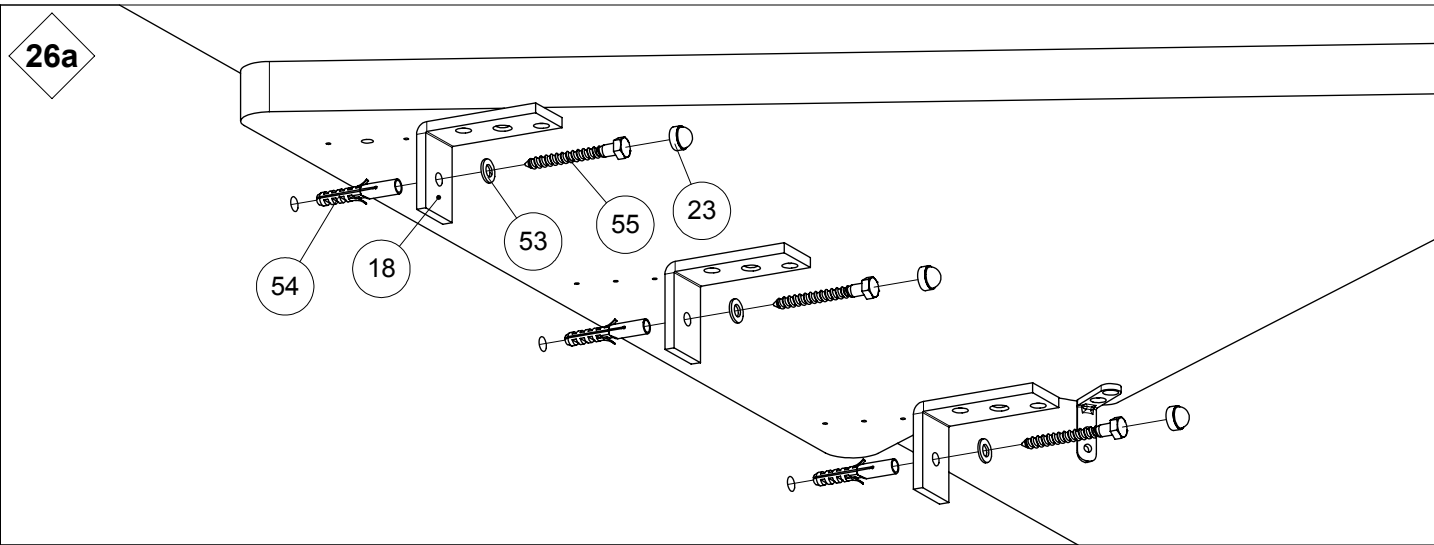
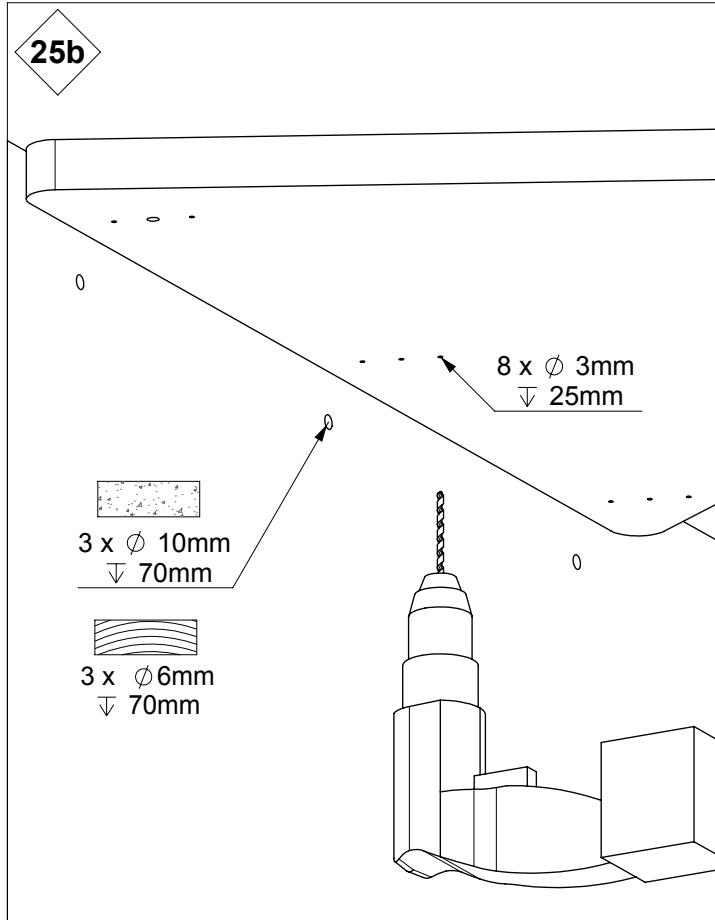
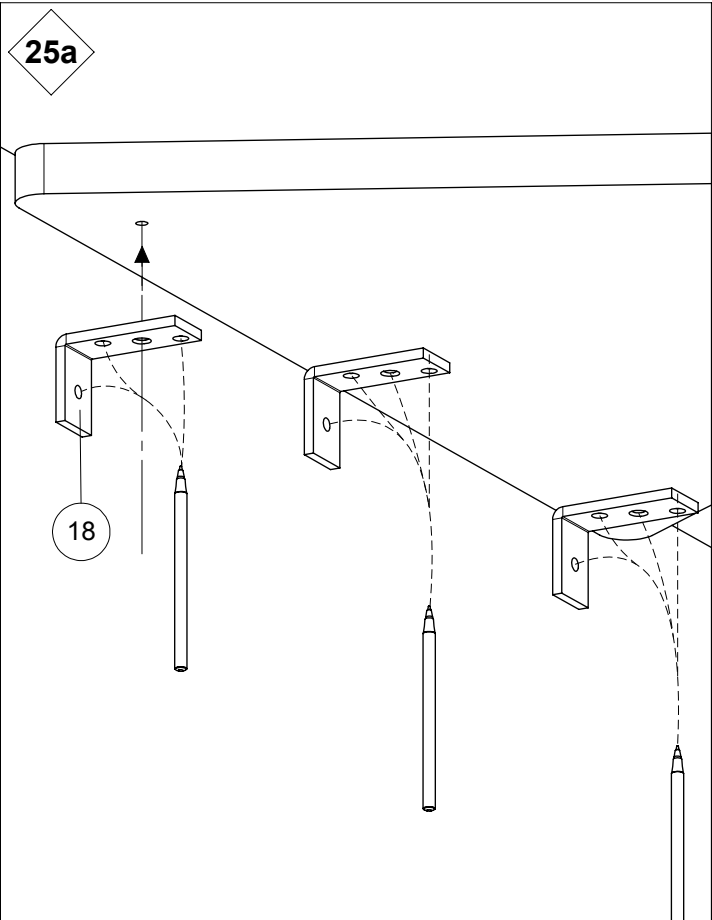
18

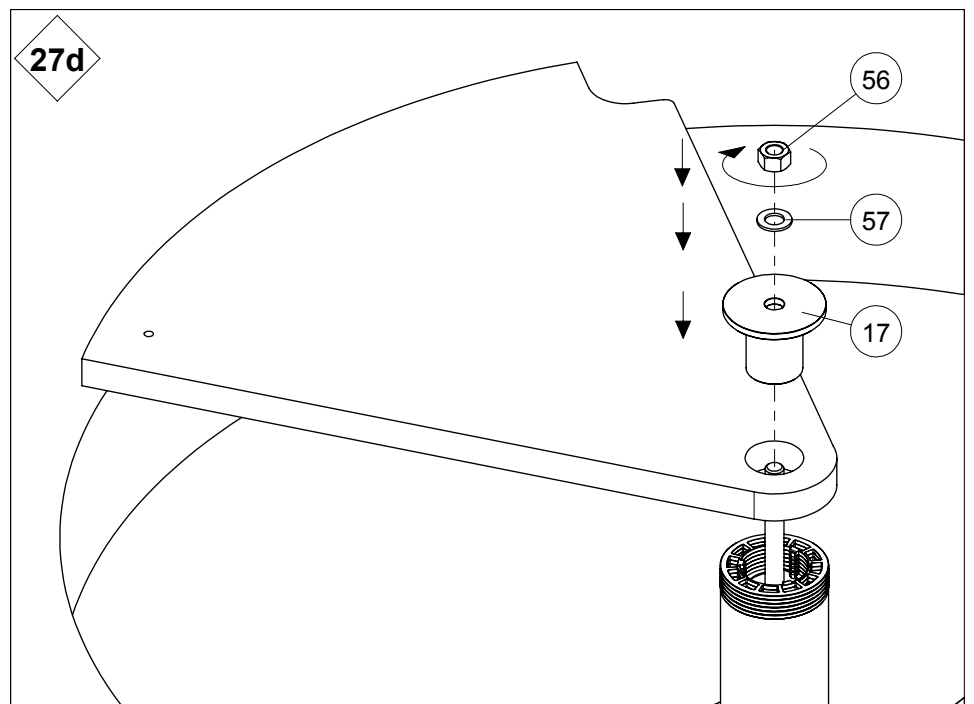
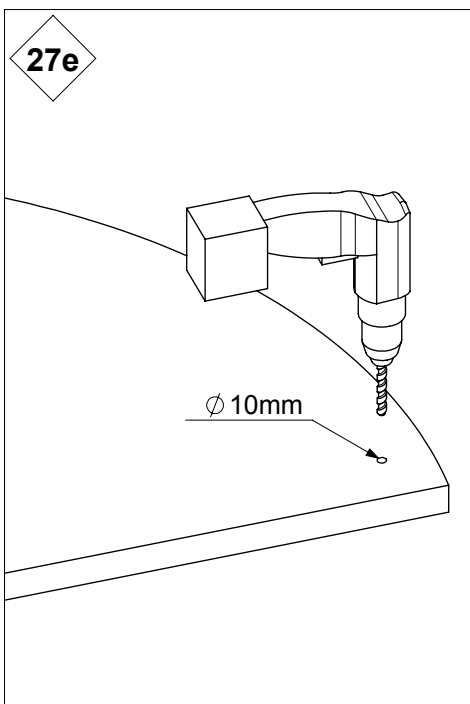
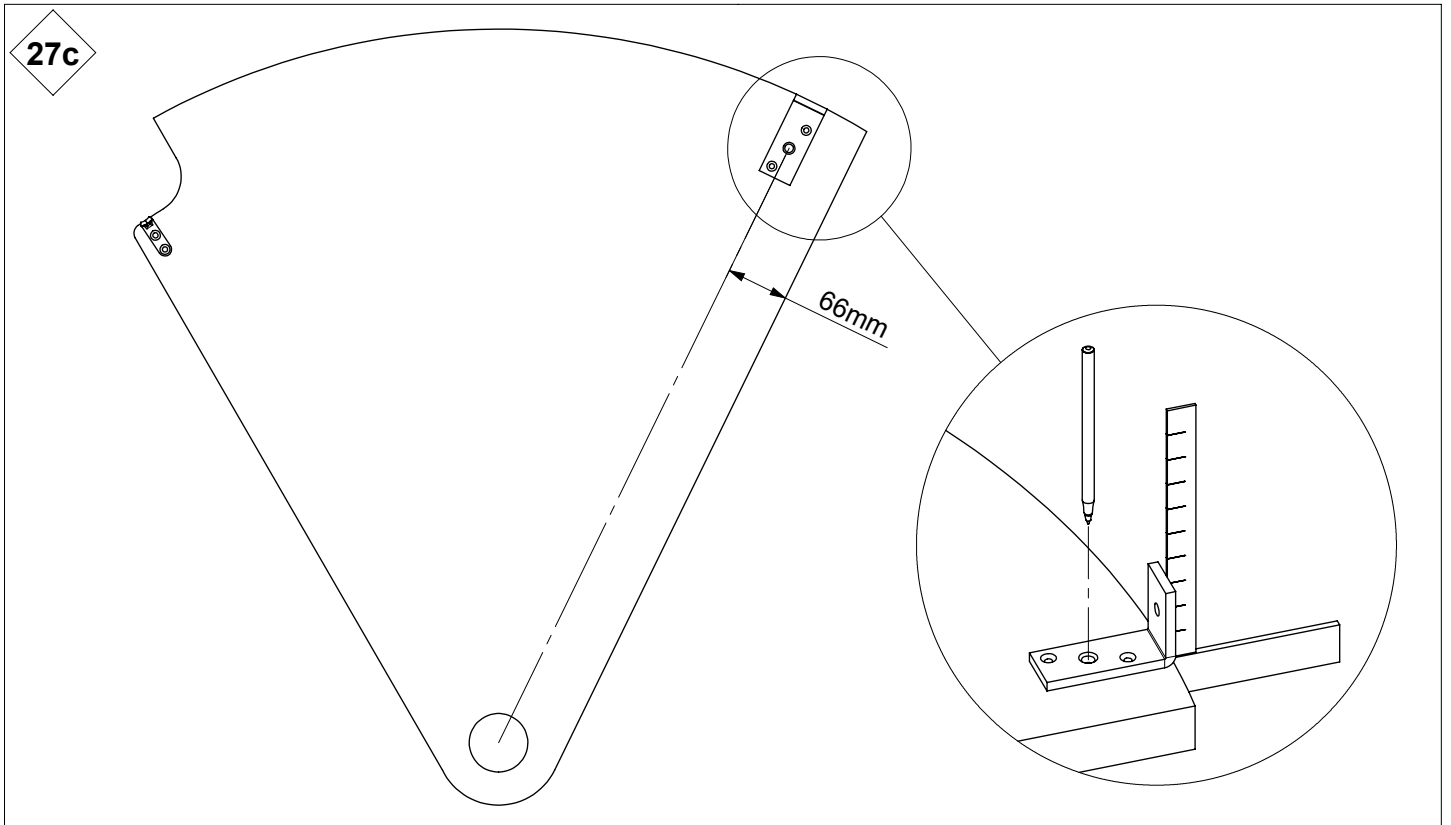
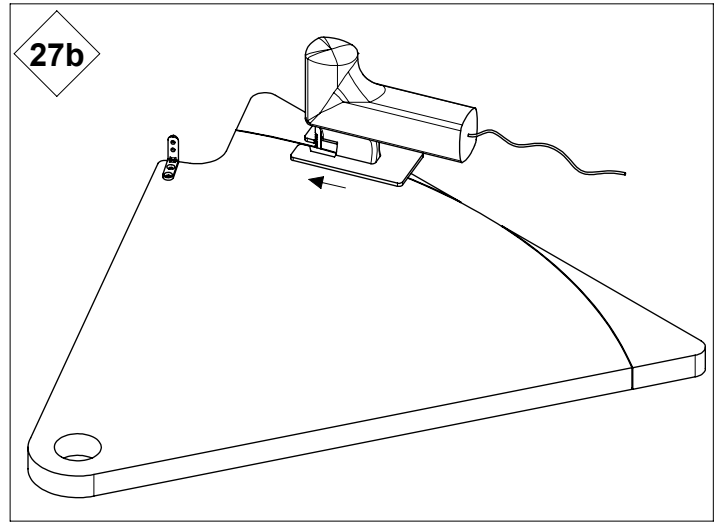
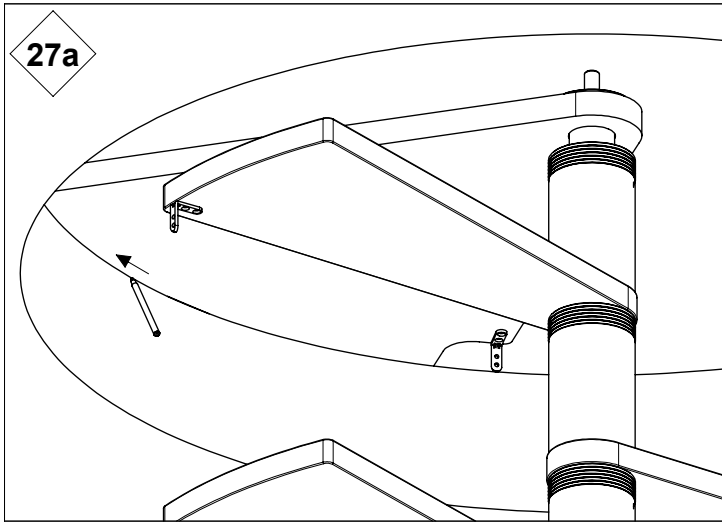


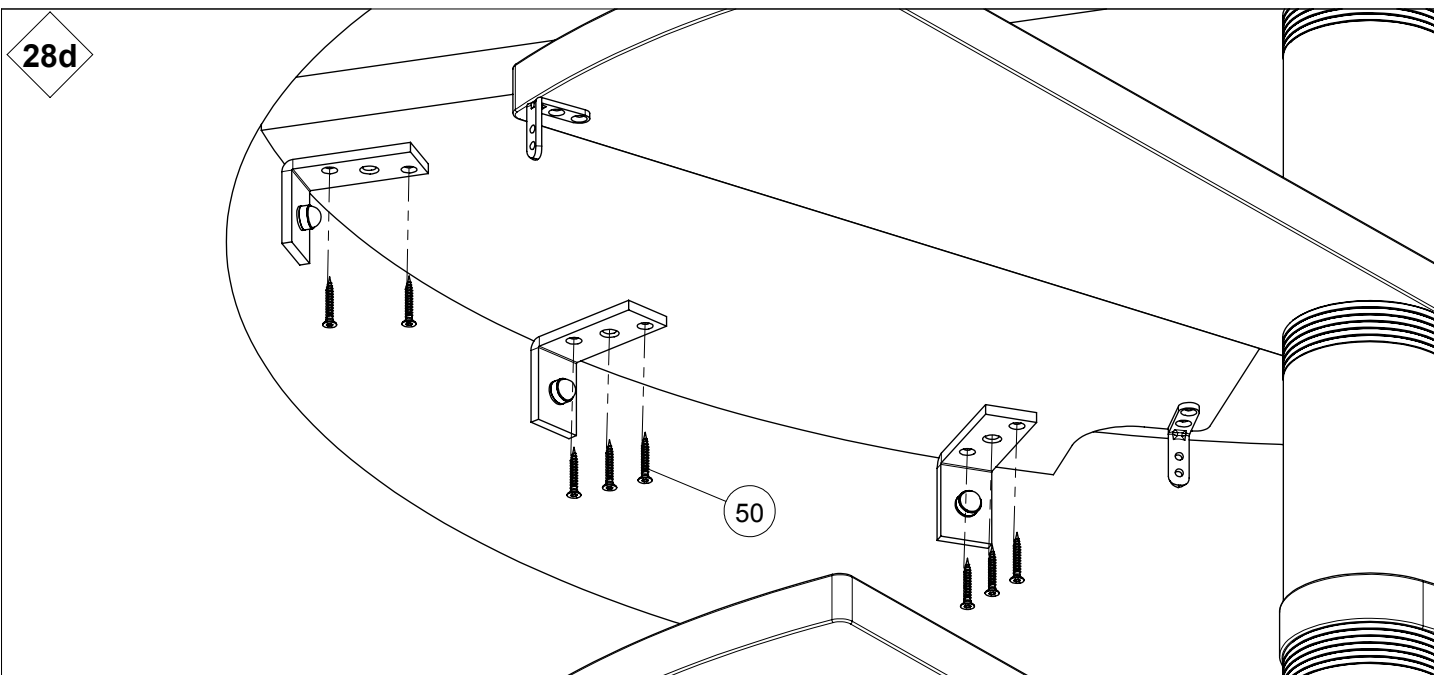
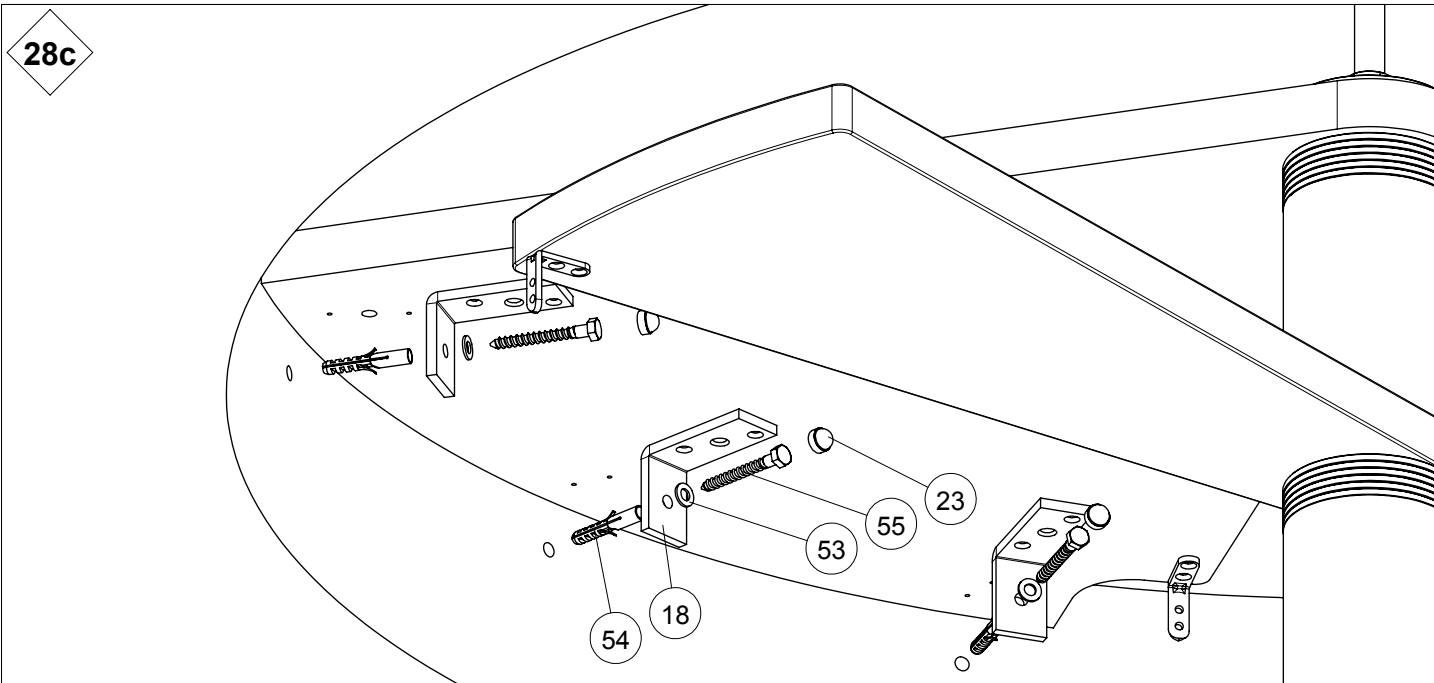
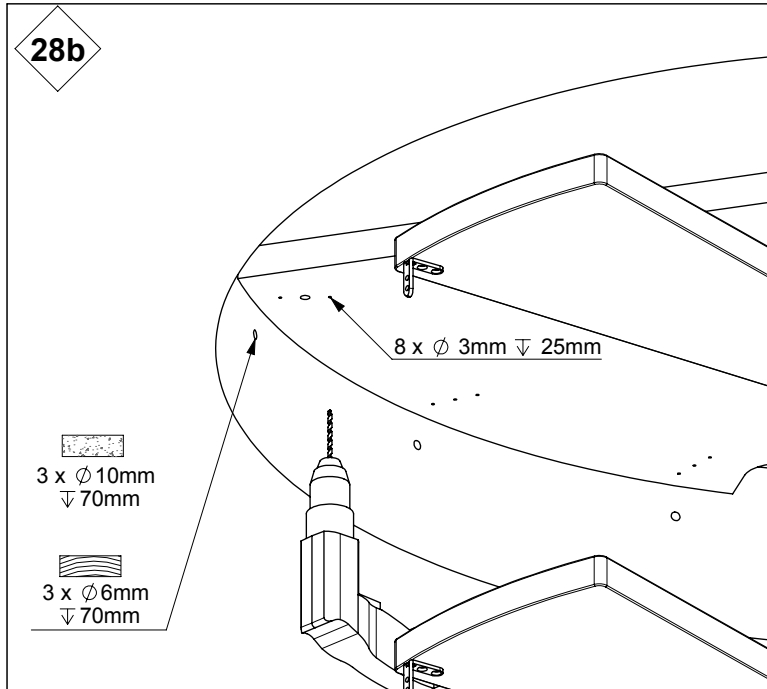
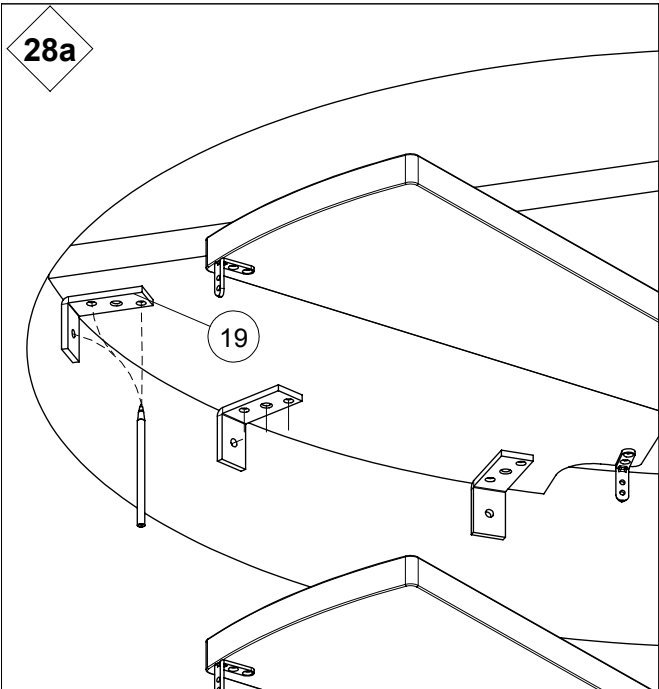


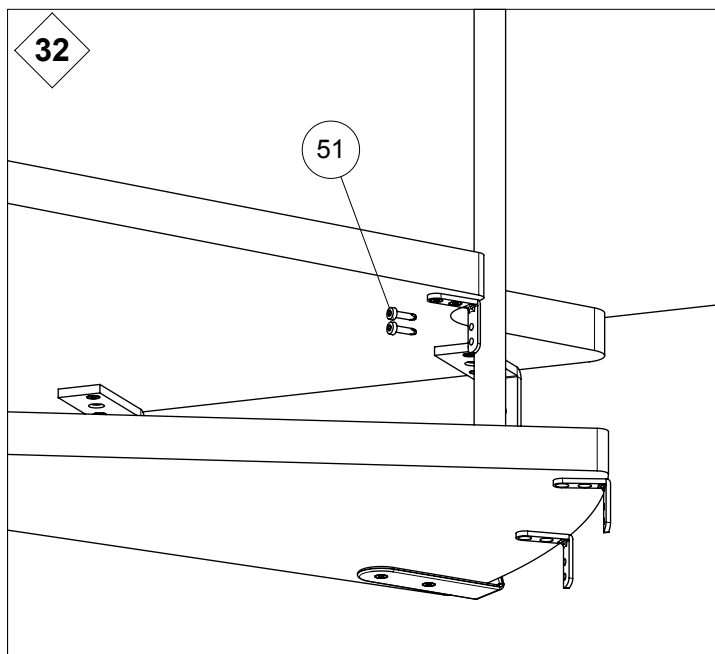
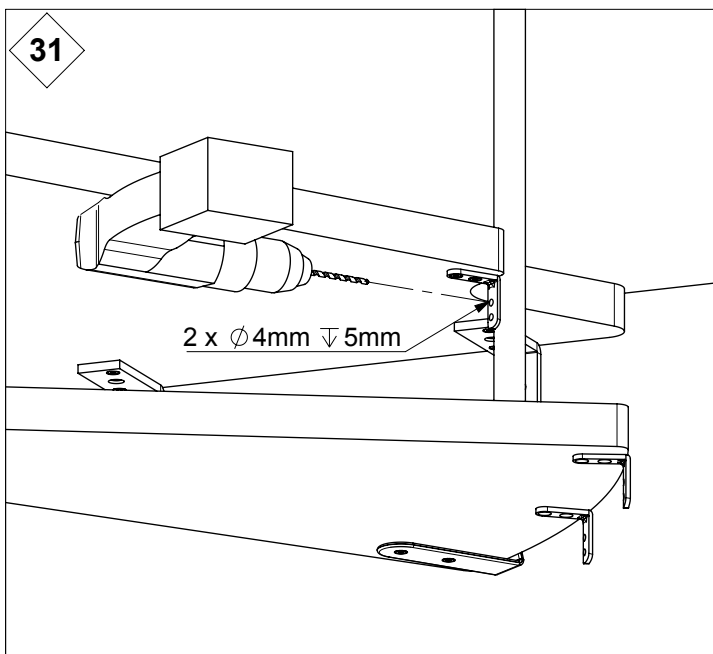
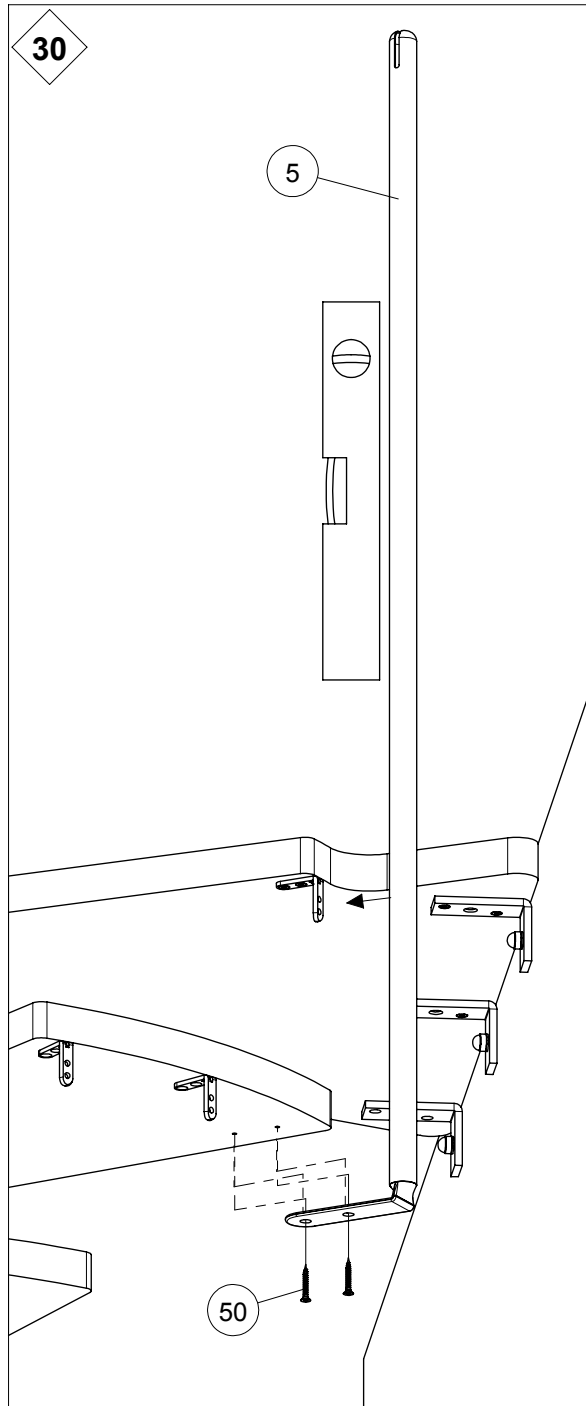
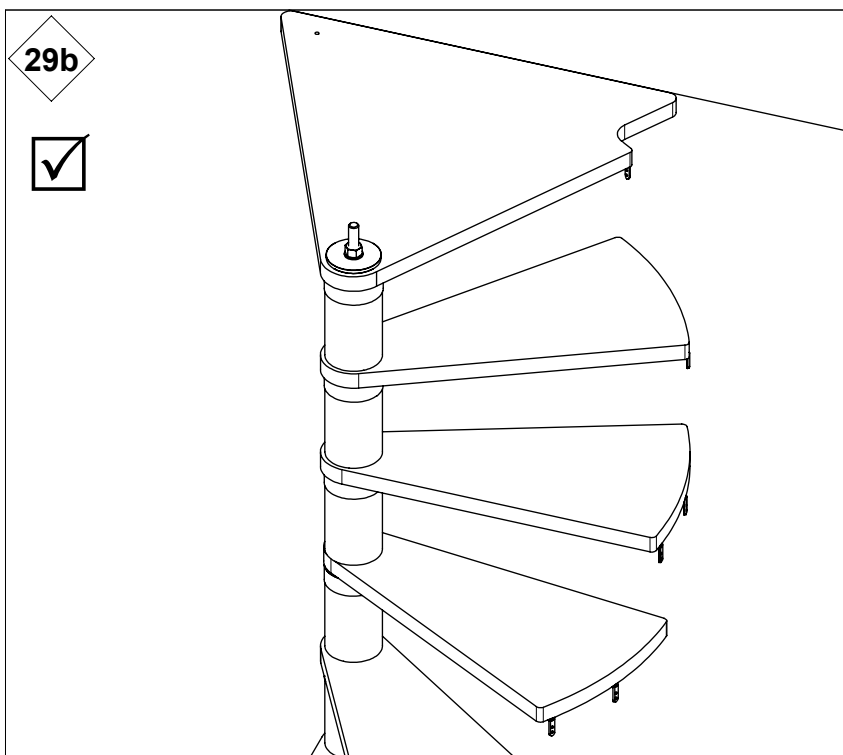
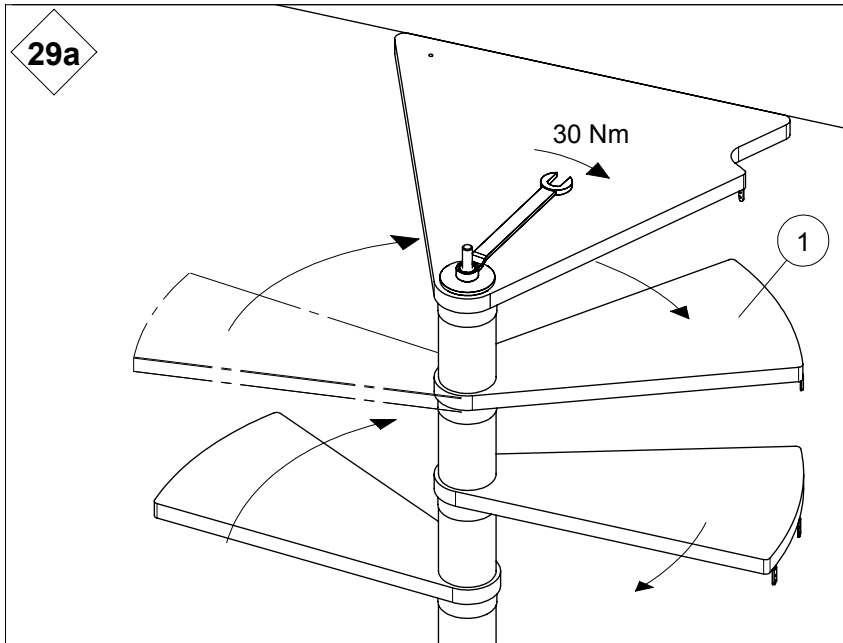
23

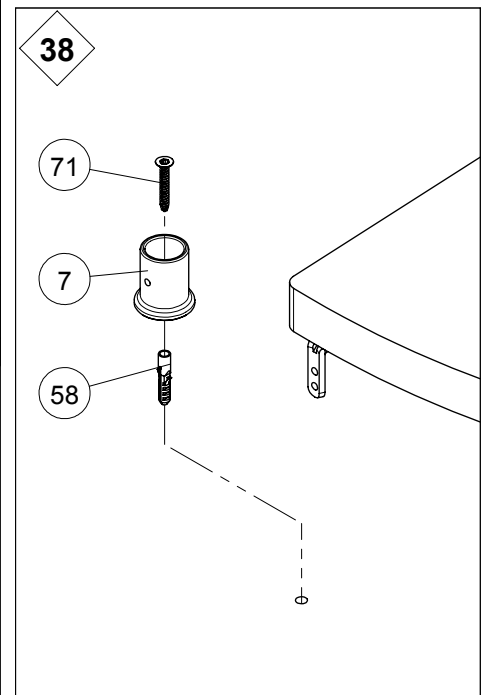
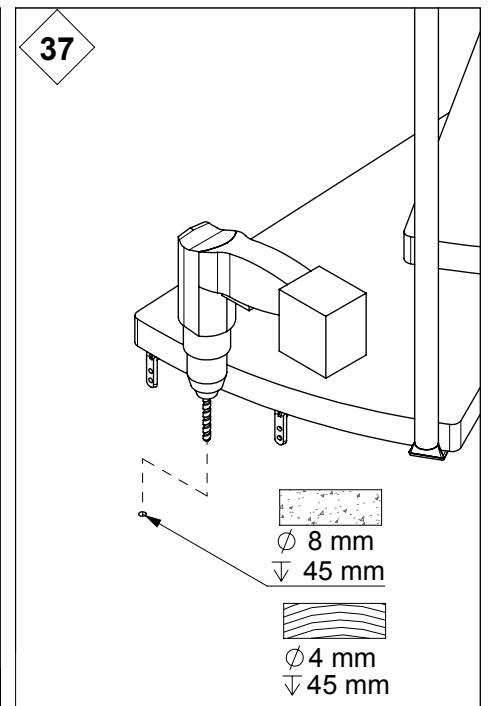
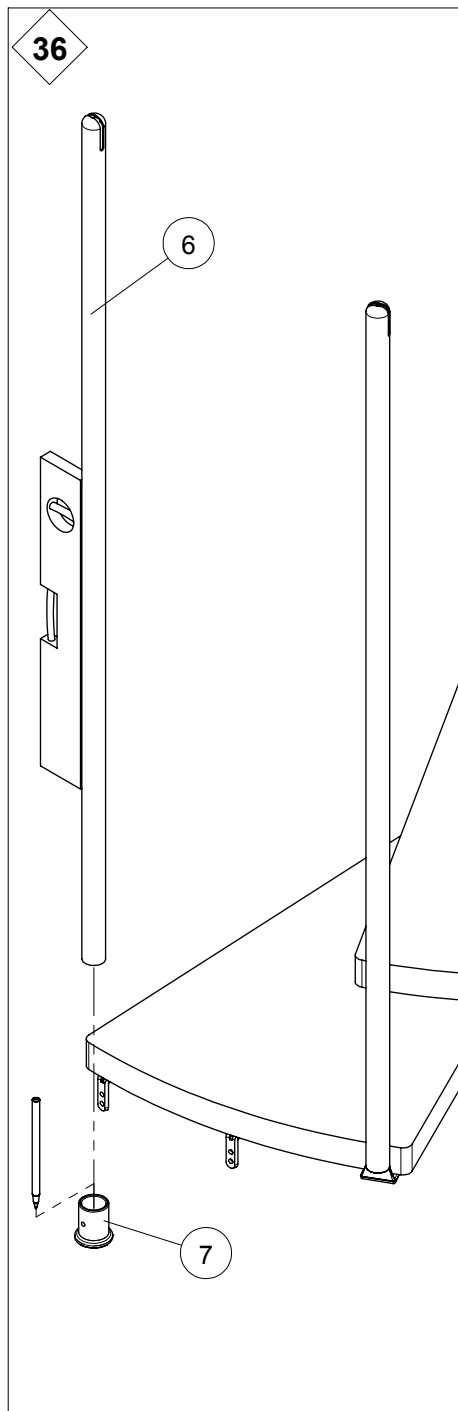
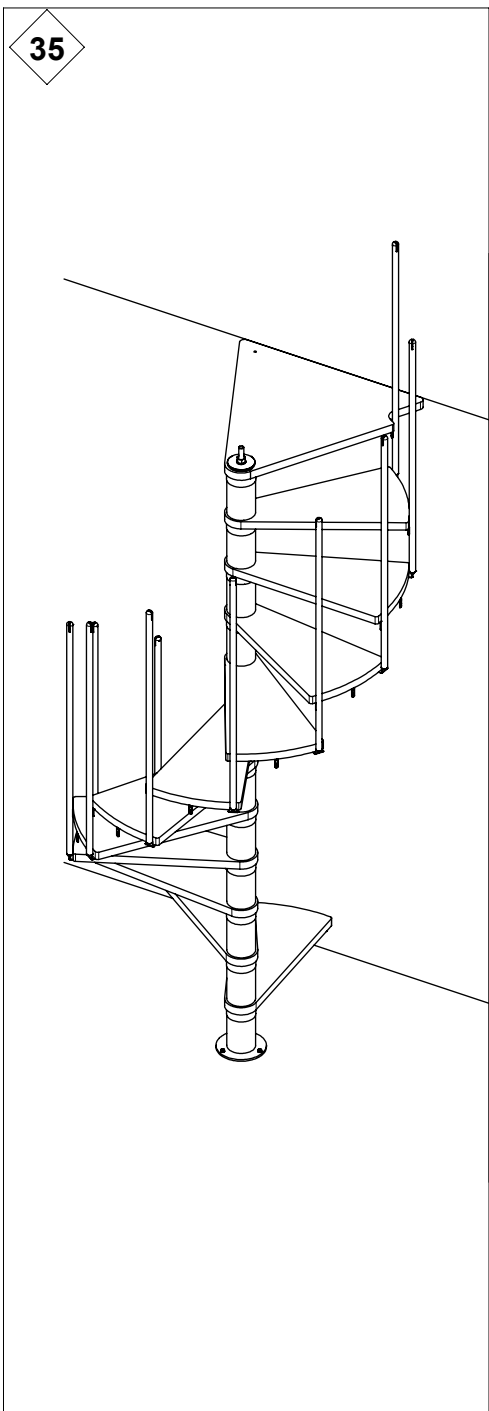
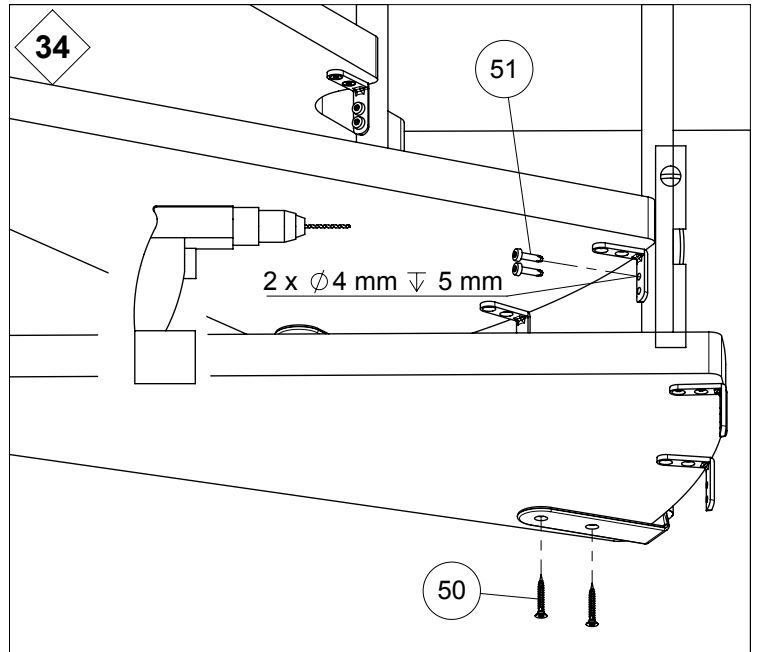
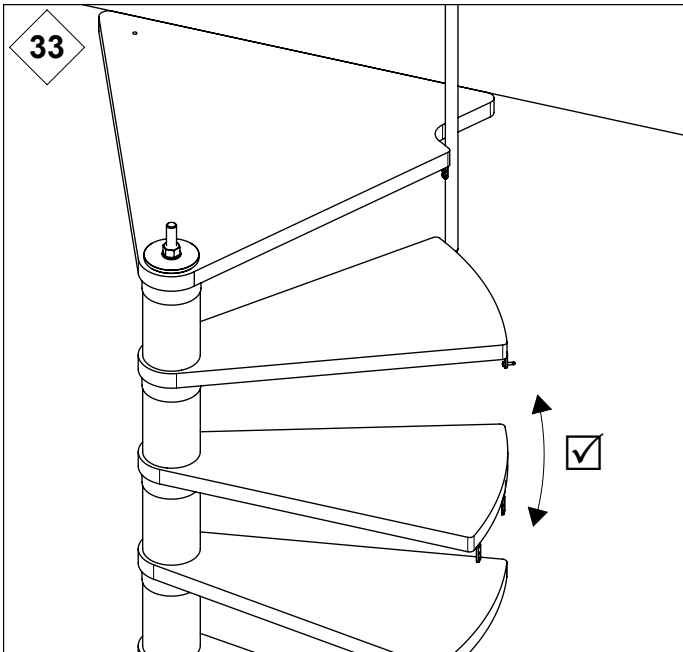


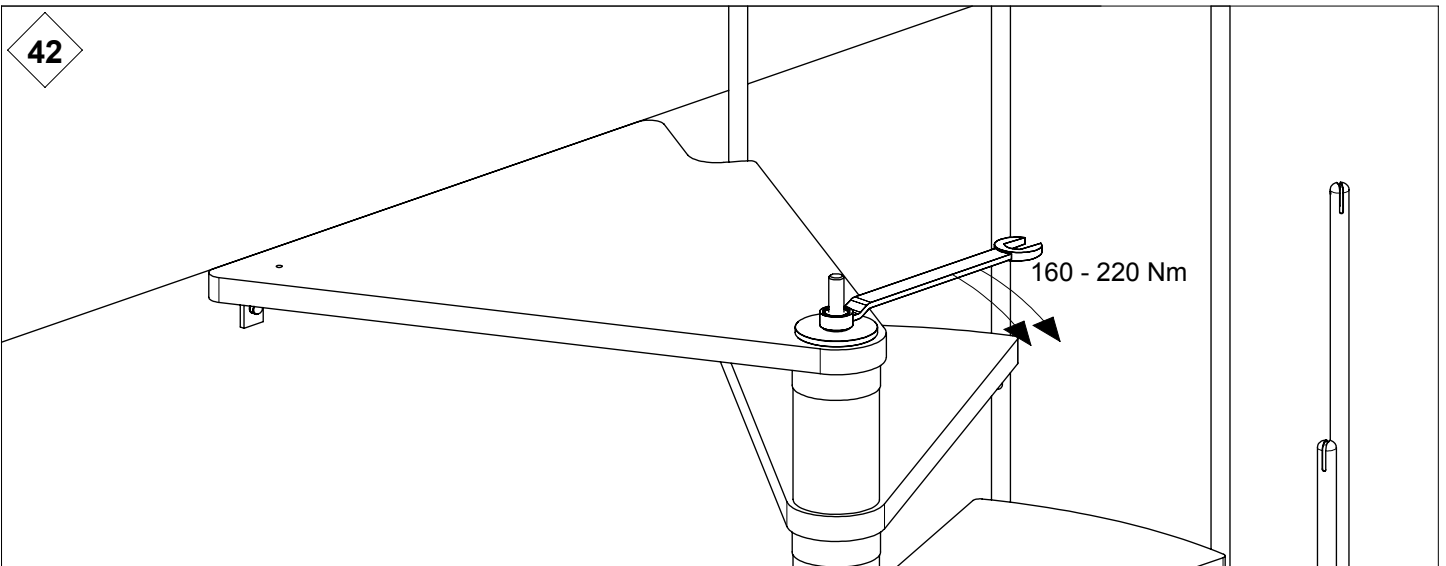
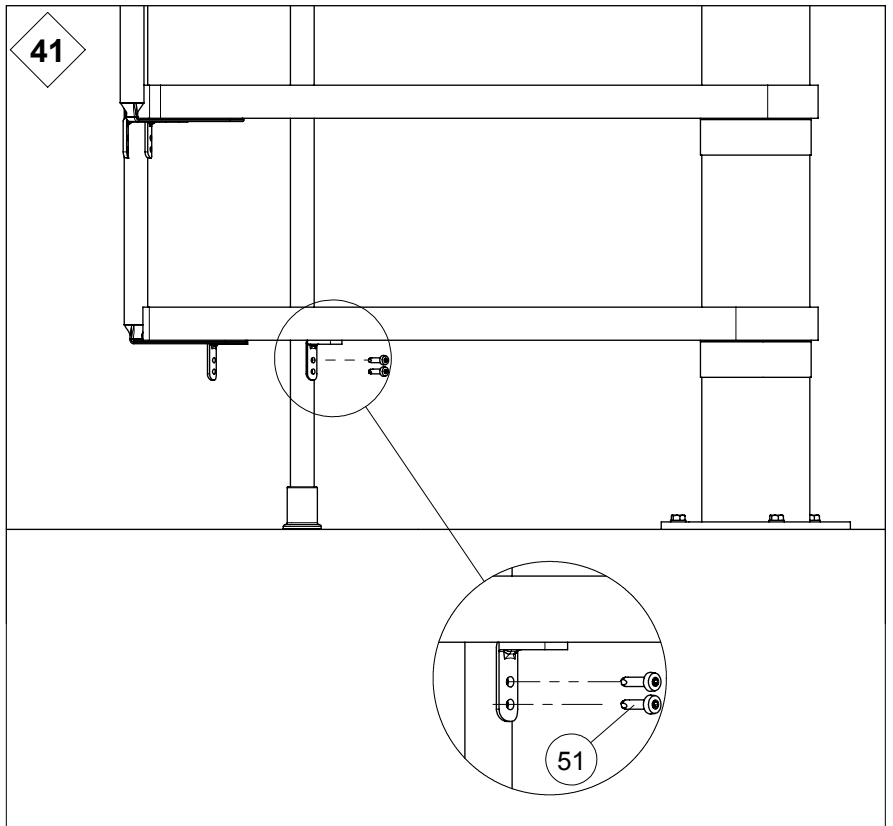
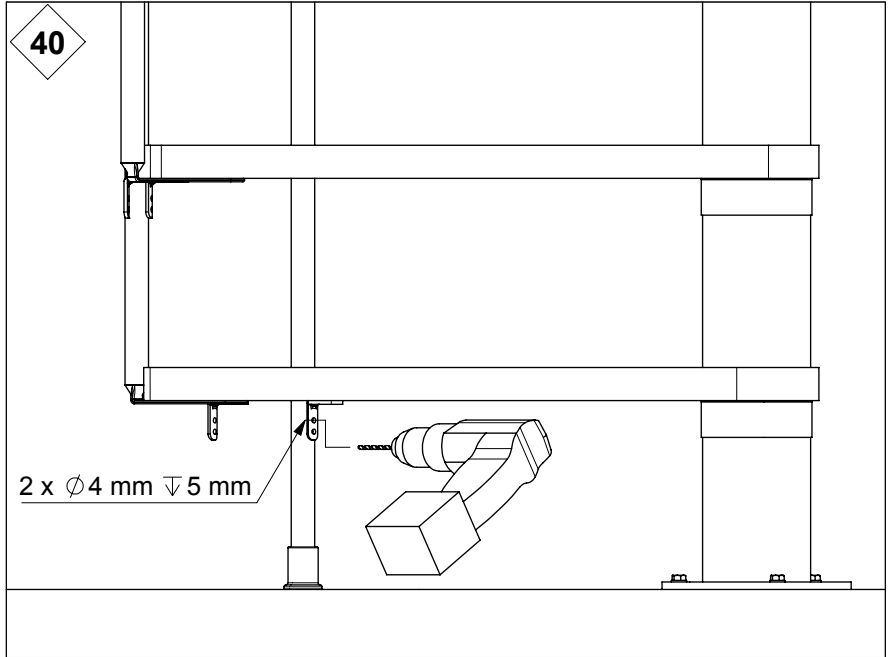
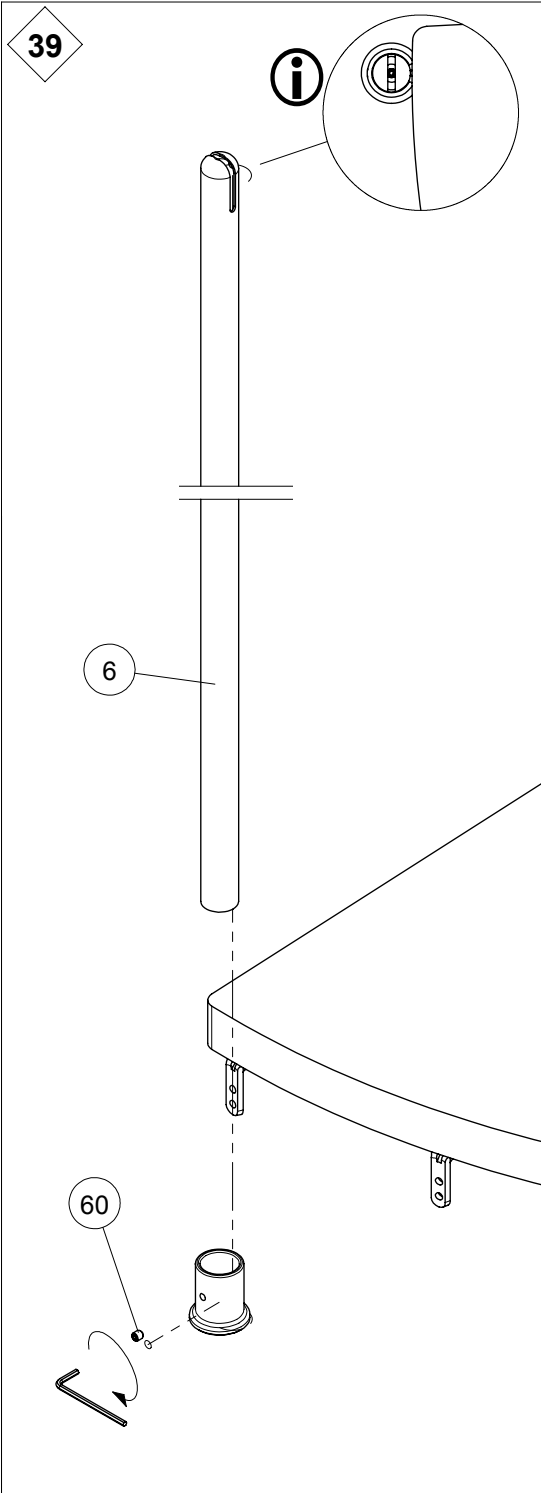


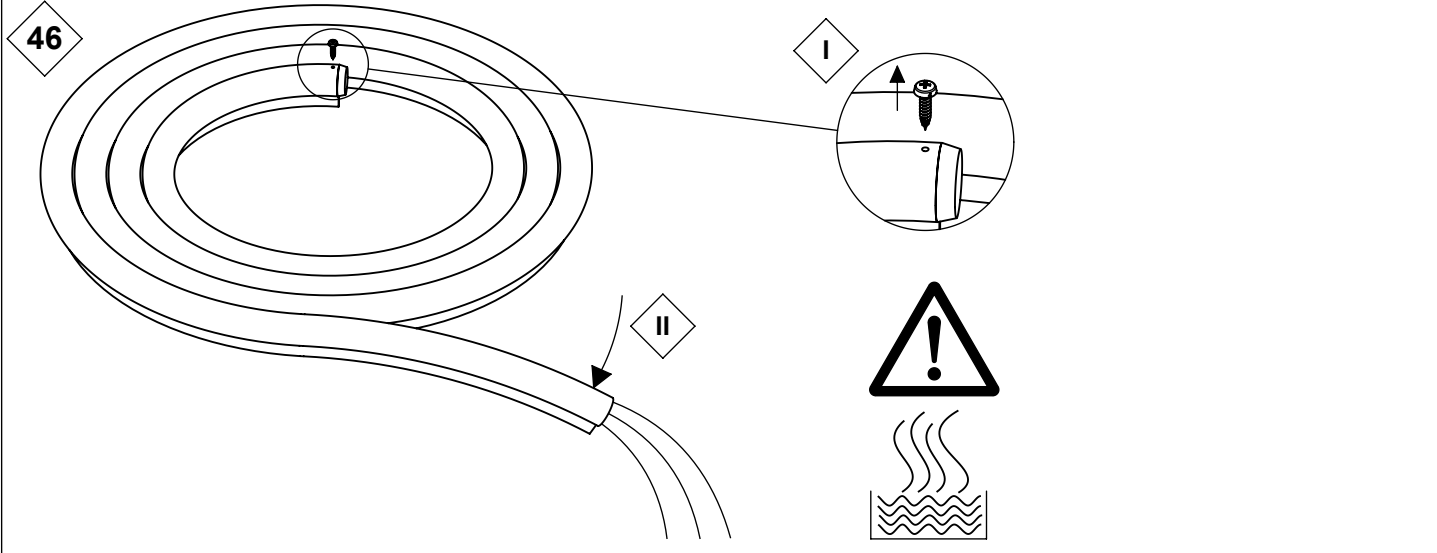
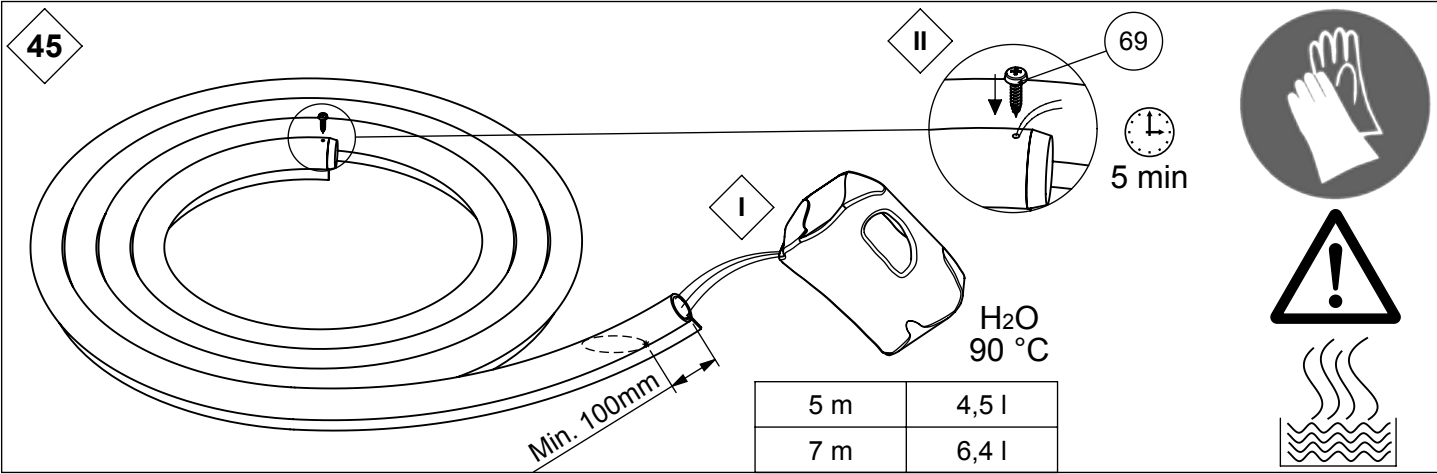
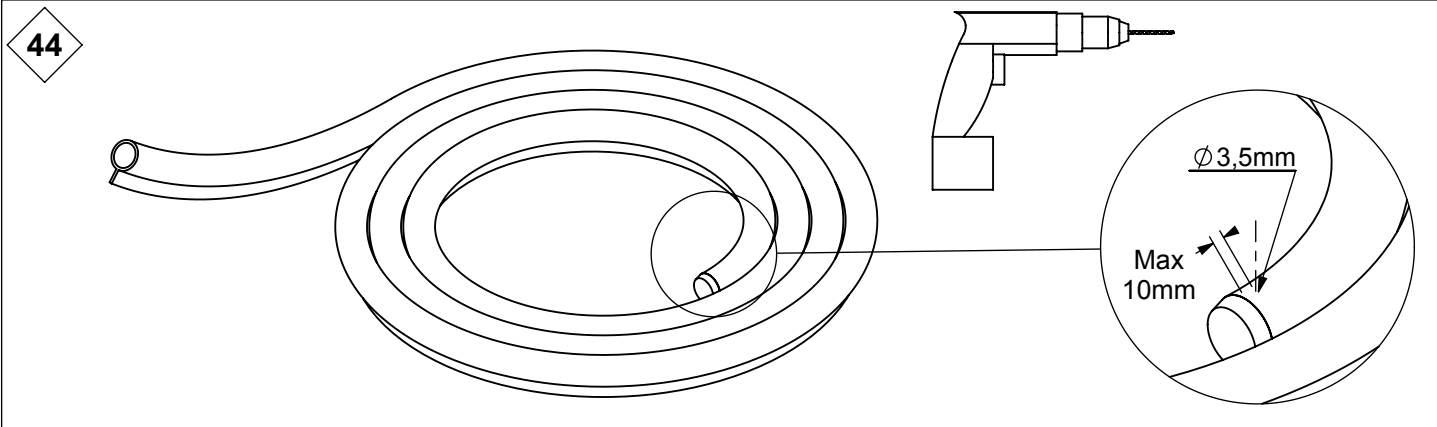
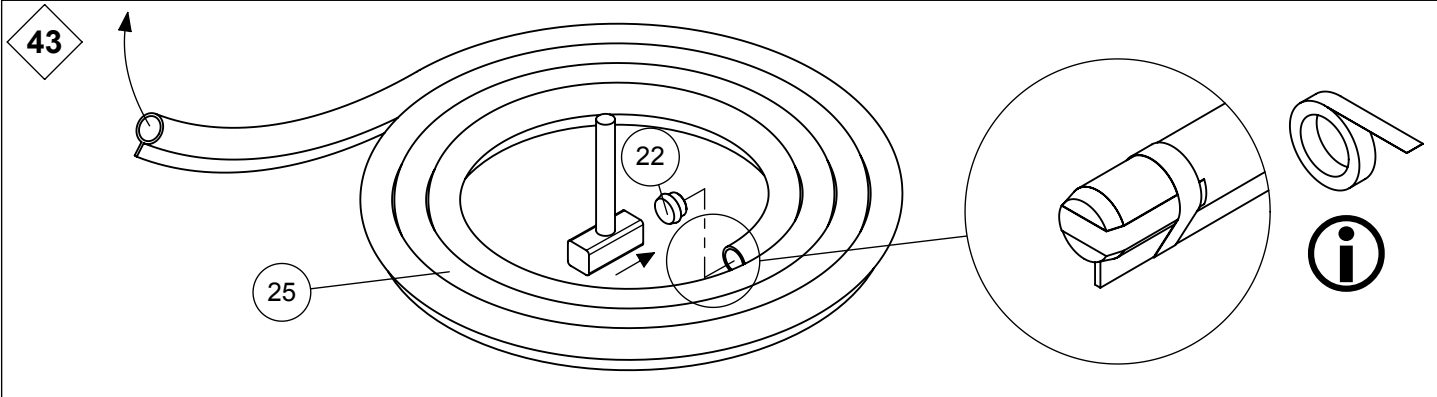
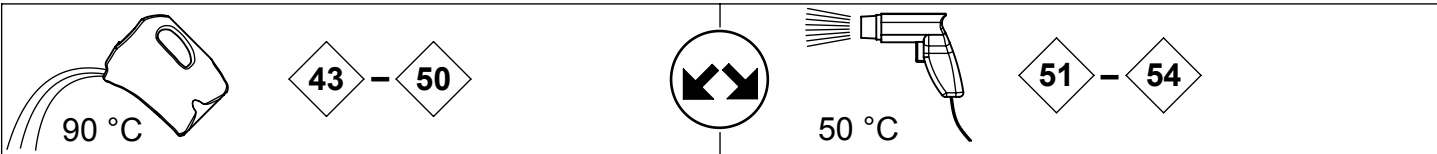


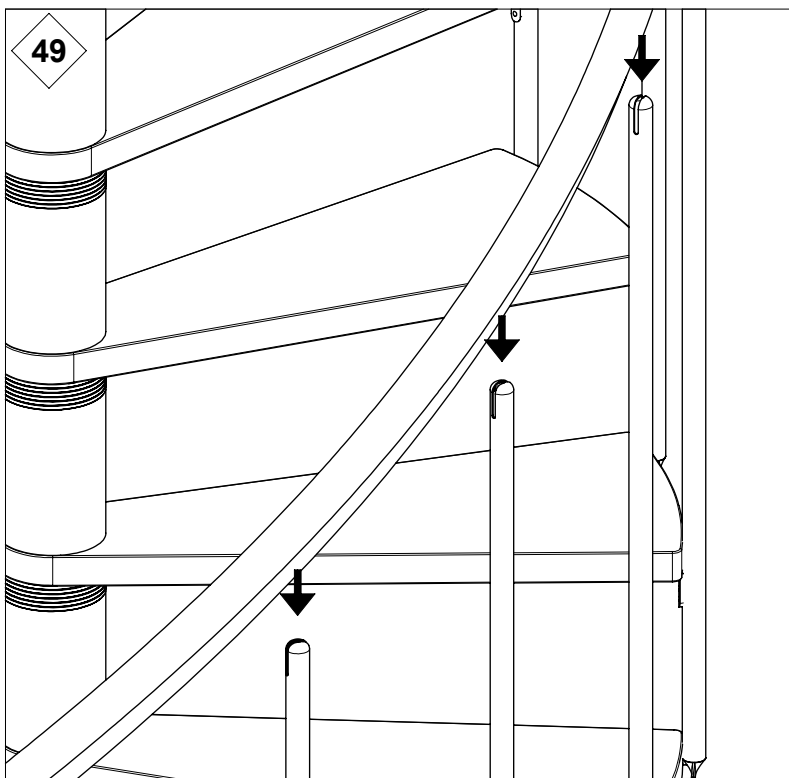
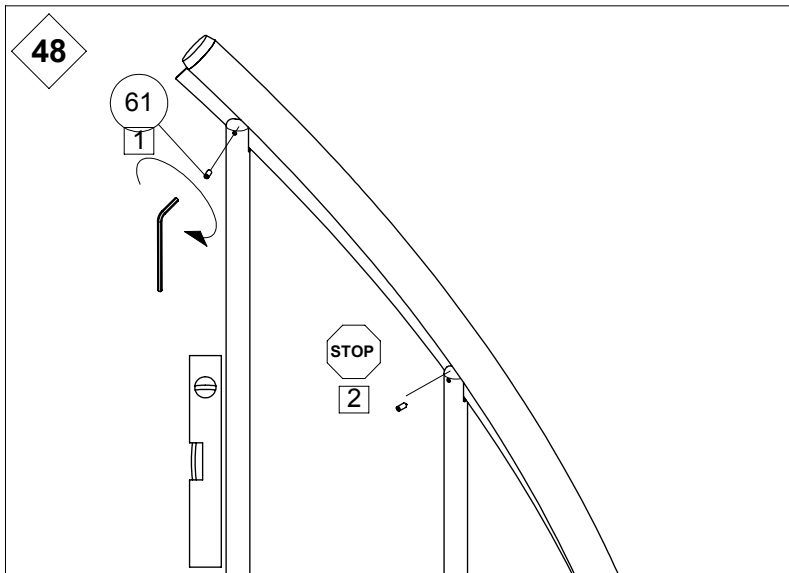
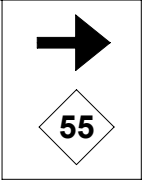
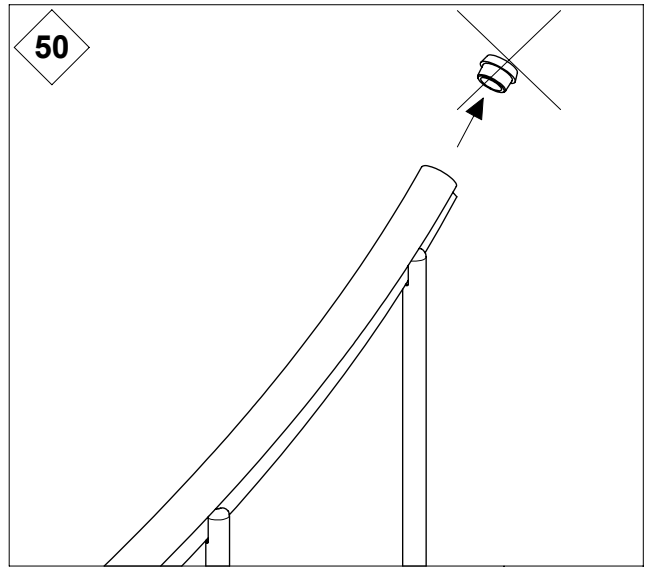
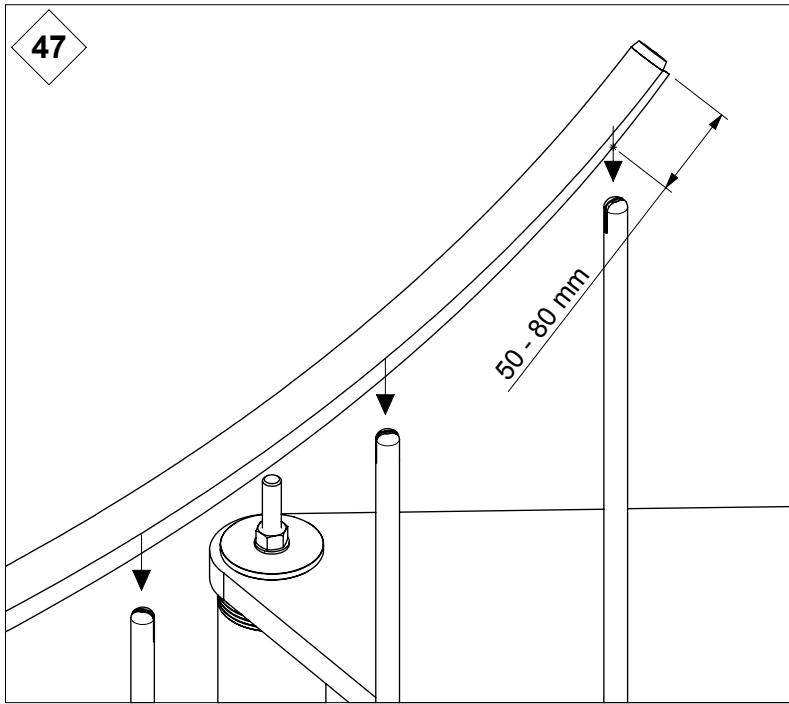


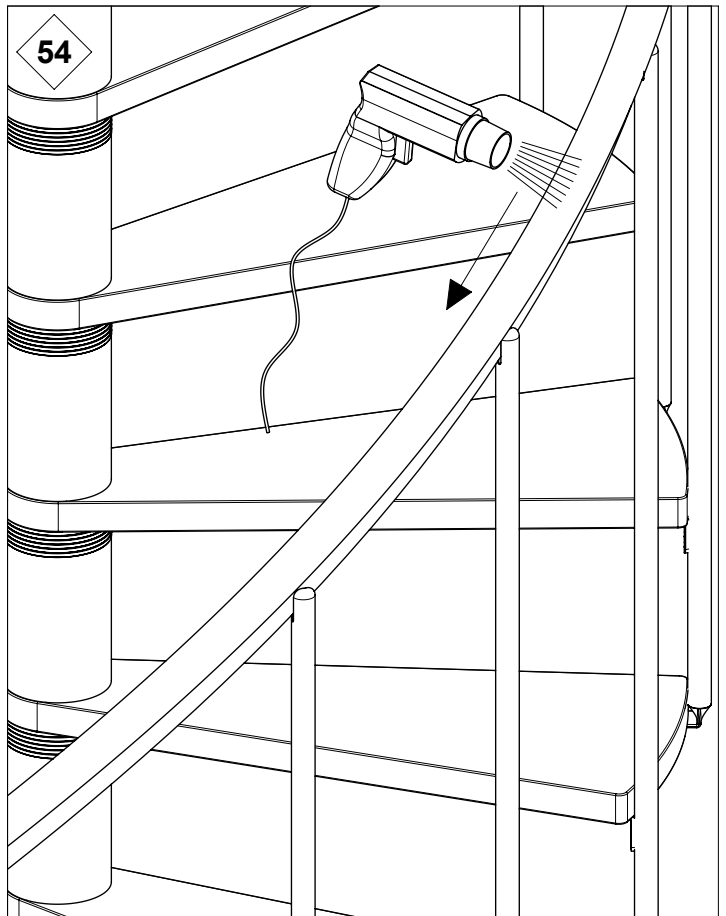
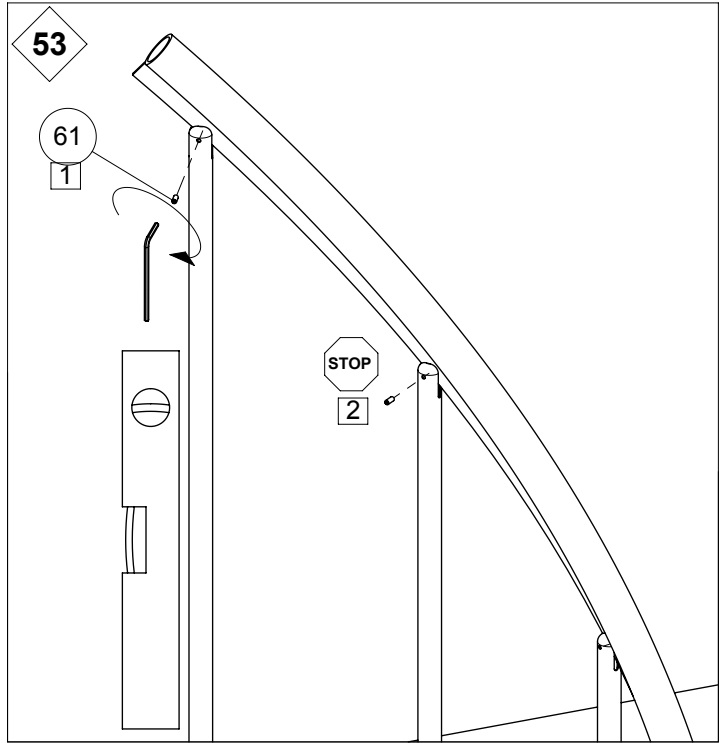
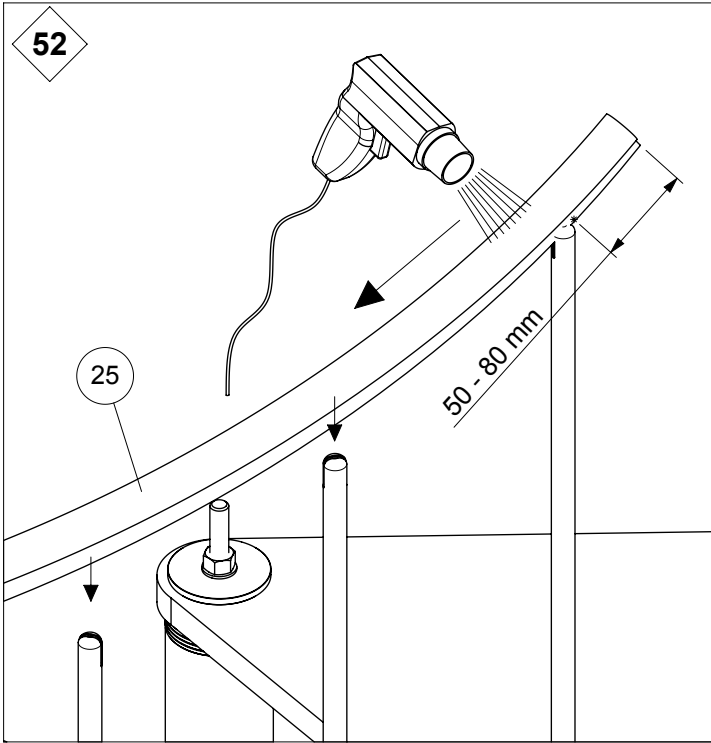
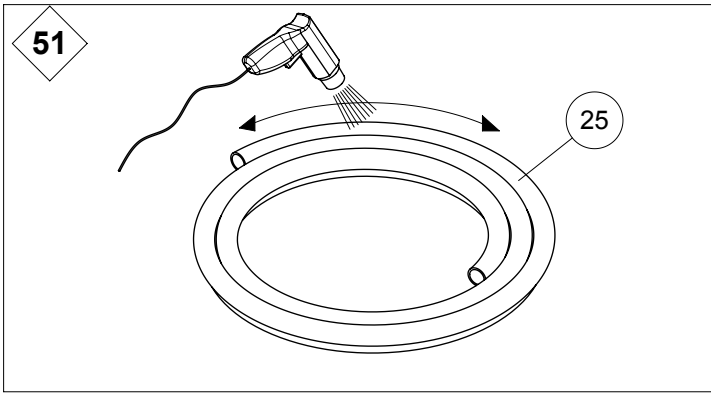




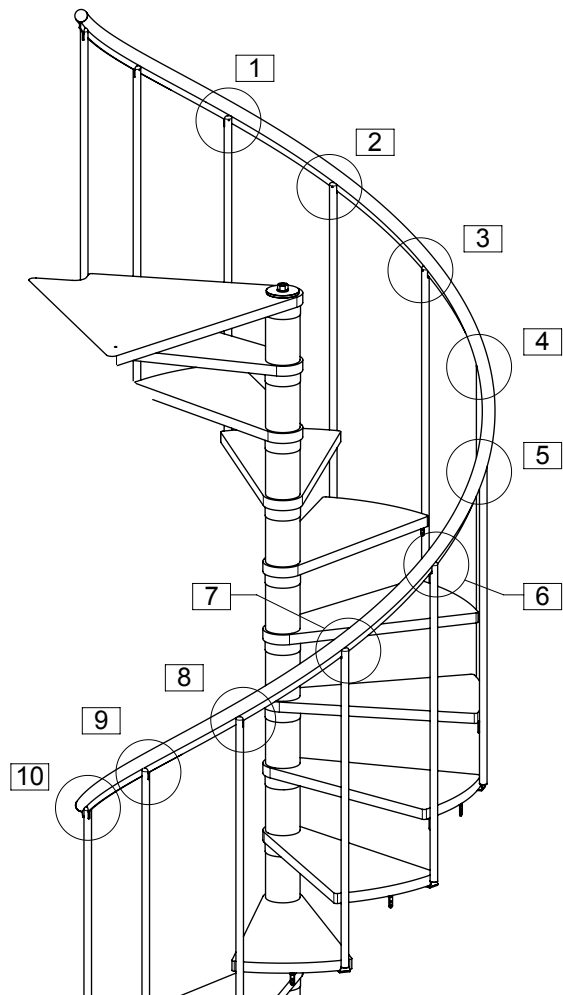




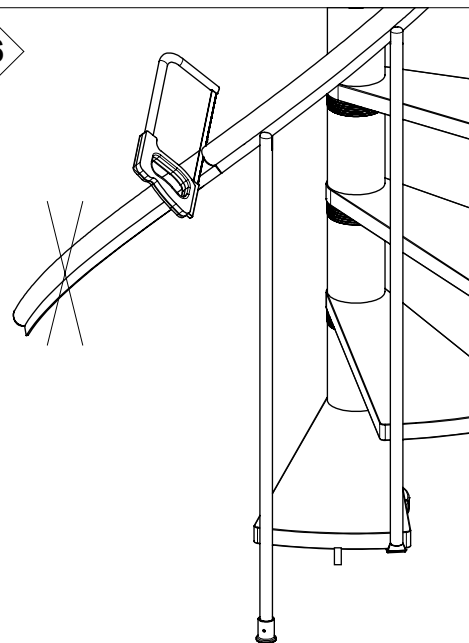




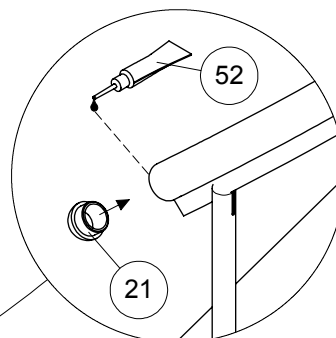
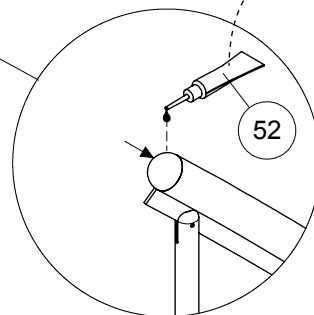
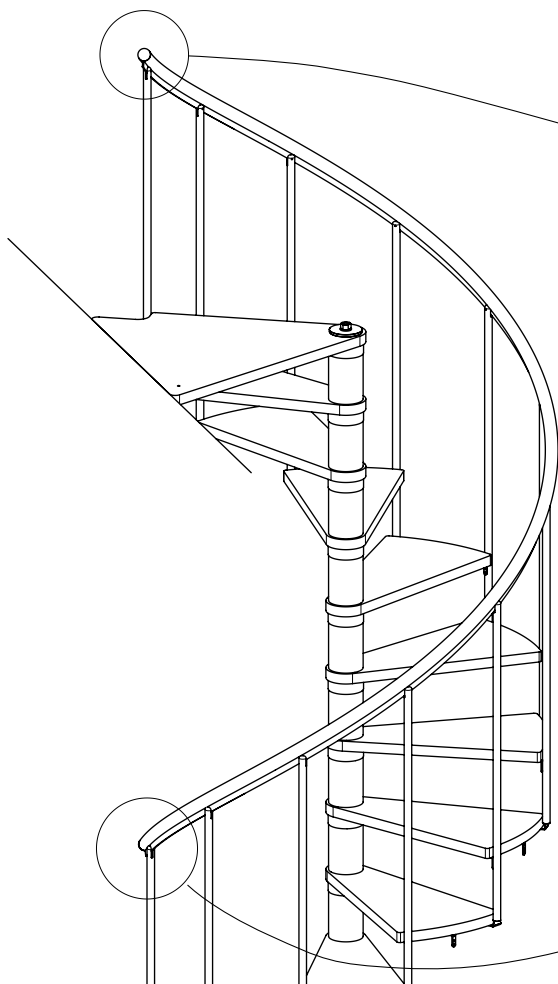
55

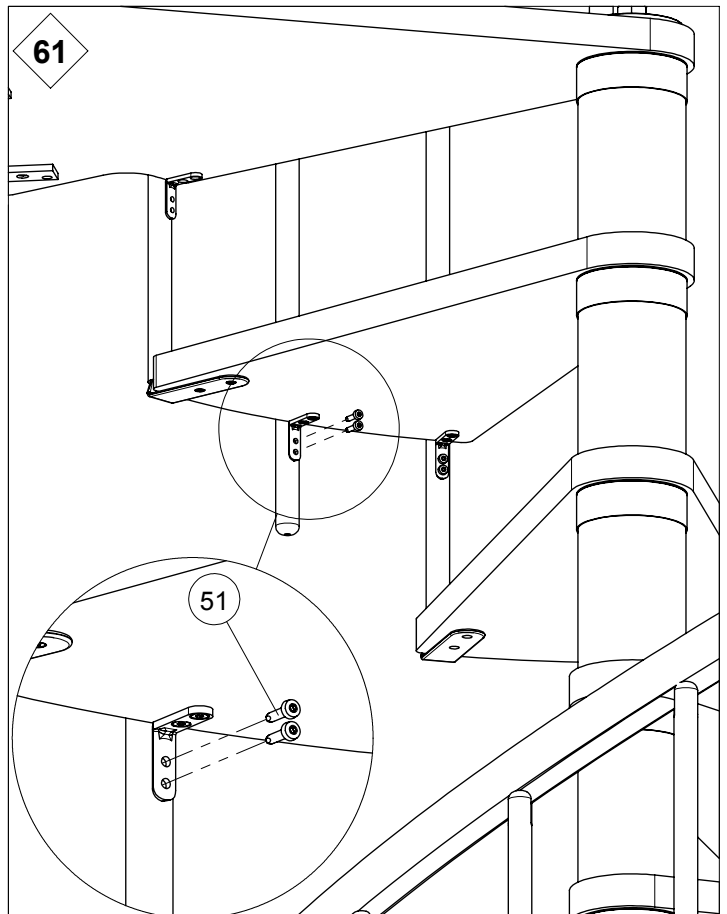
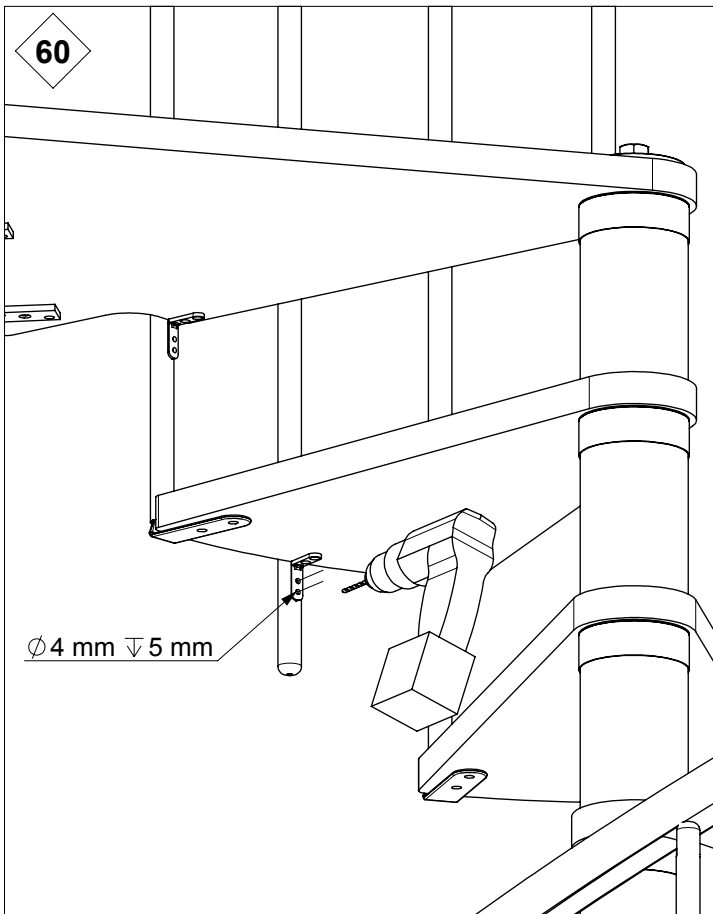
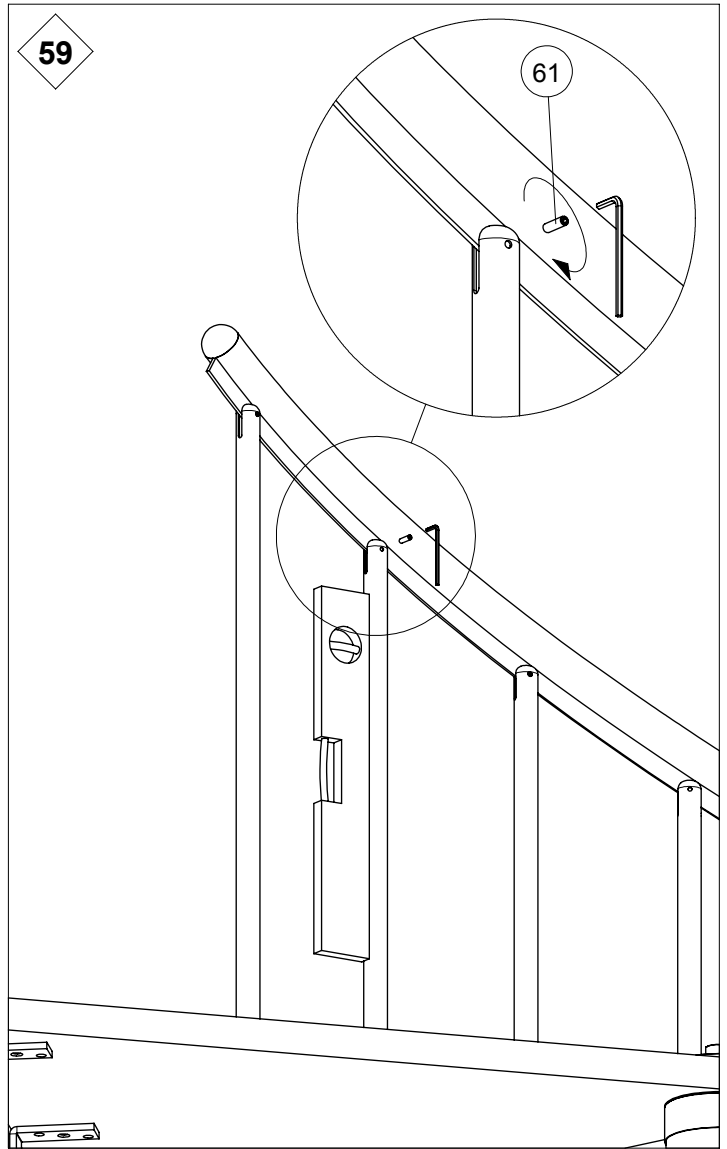
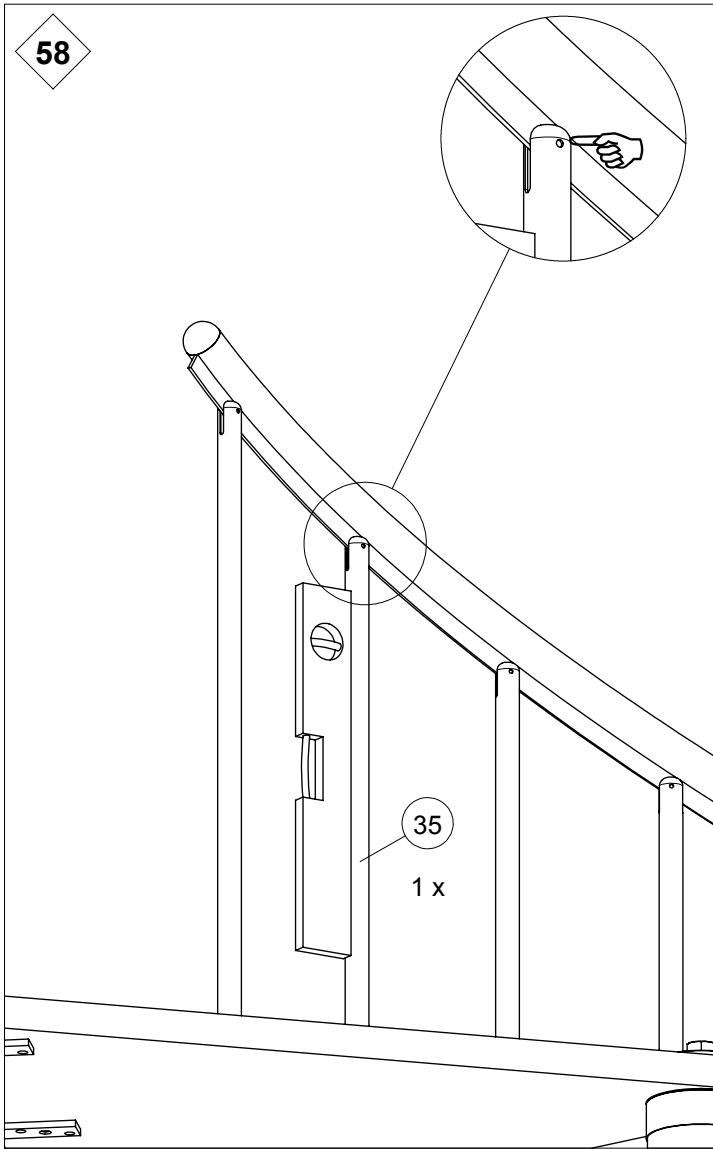


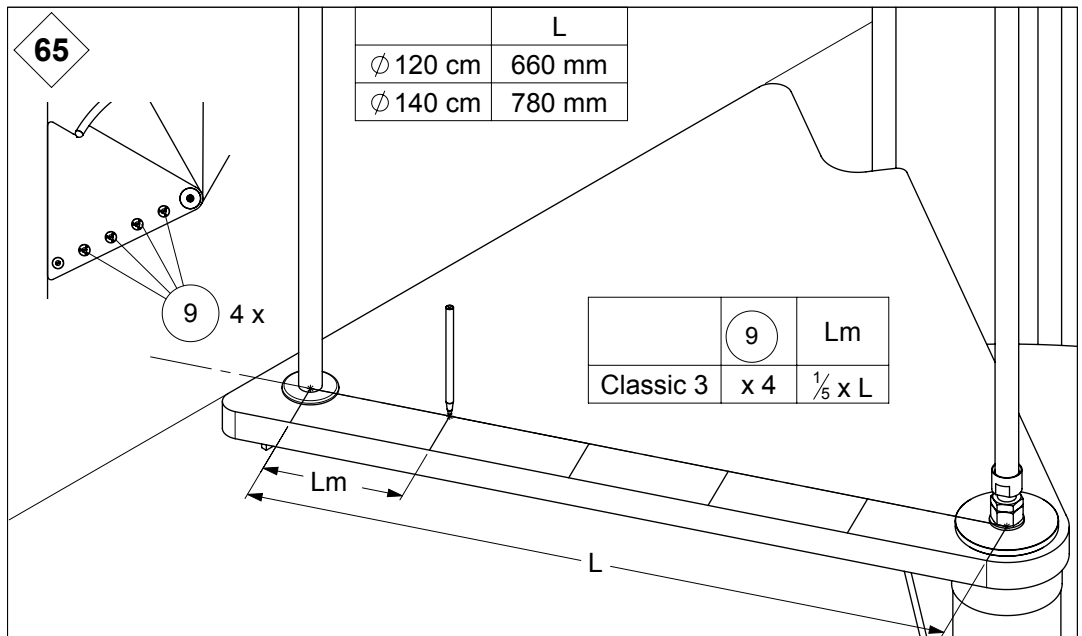
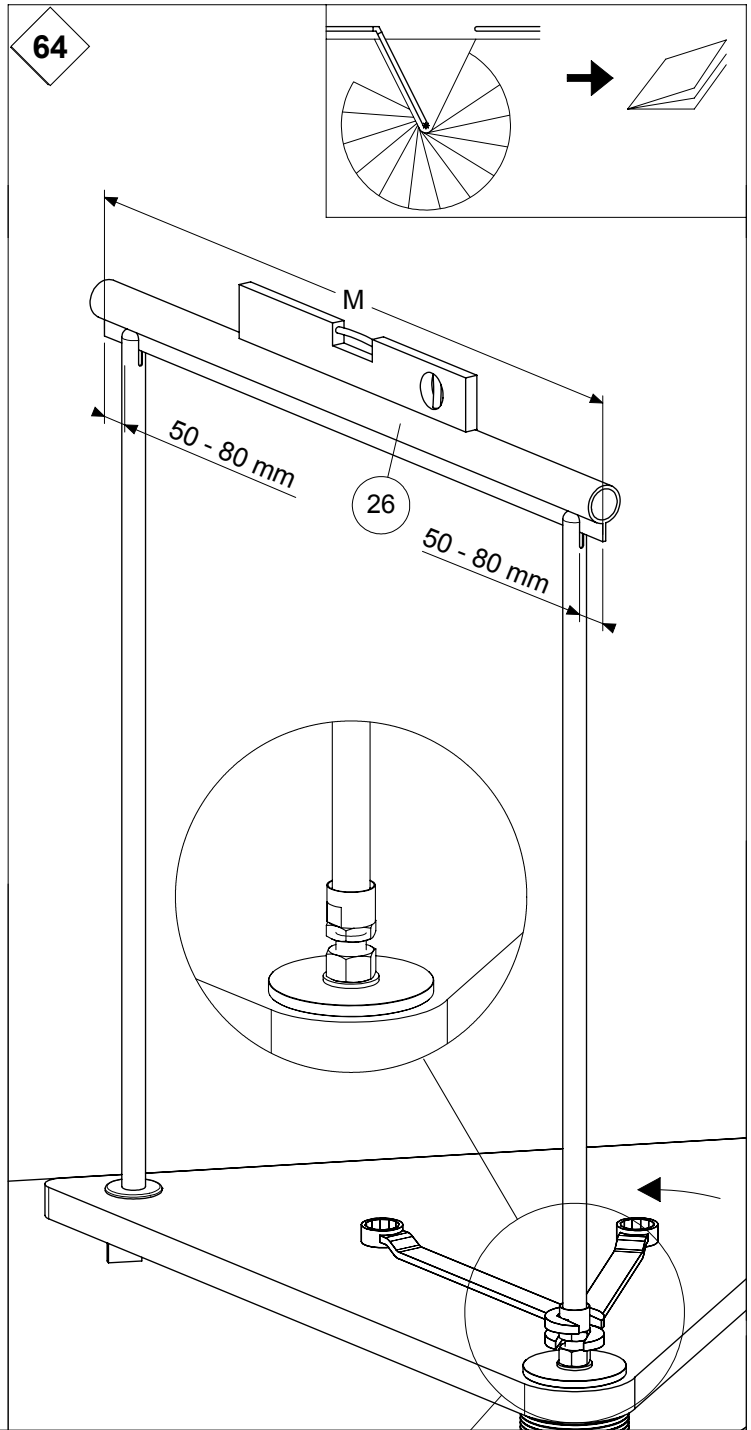
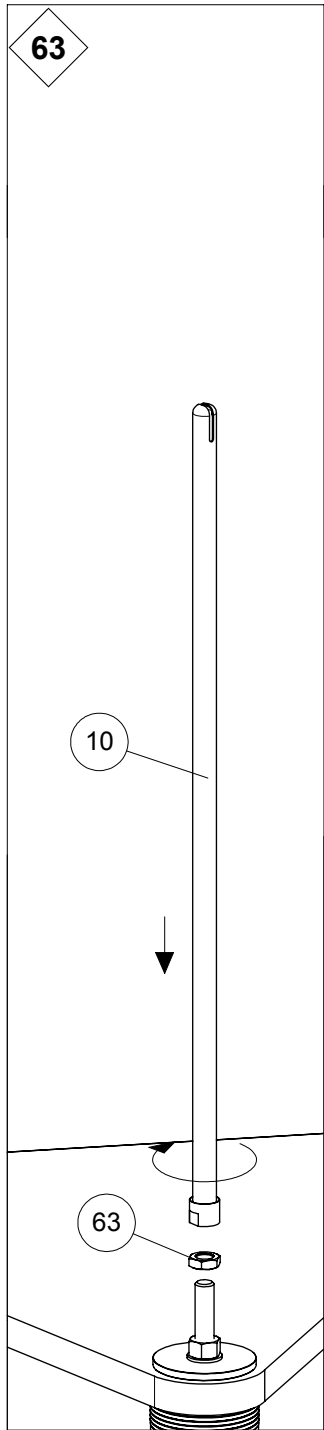
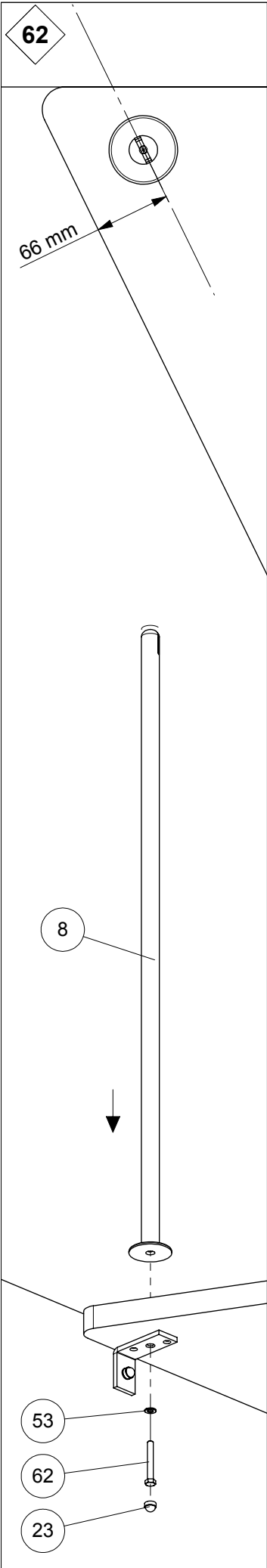
56

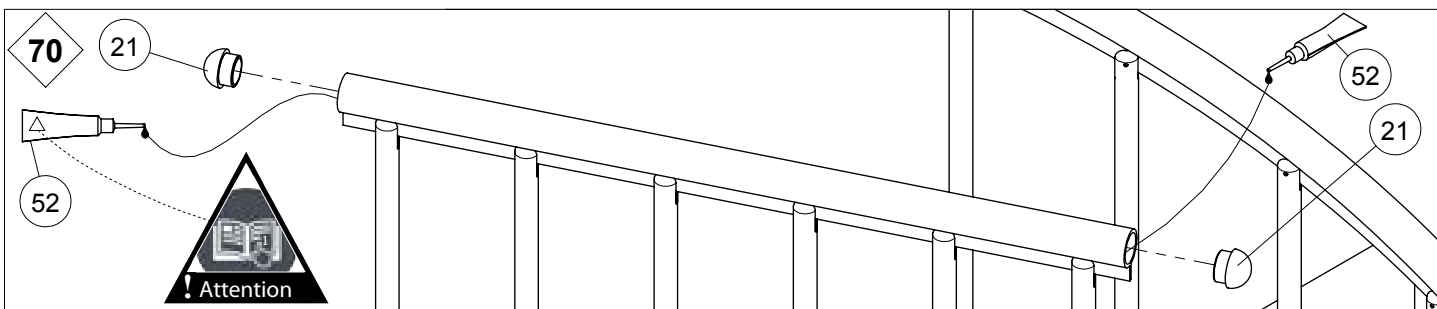
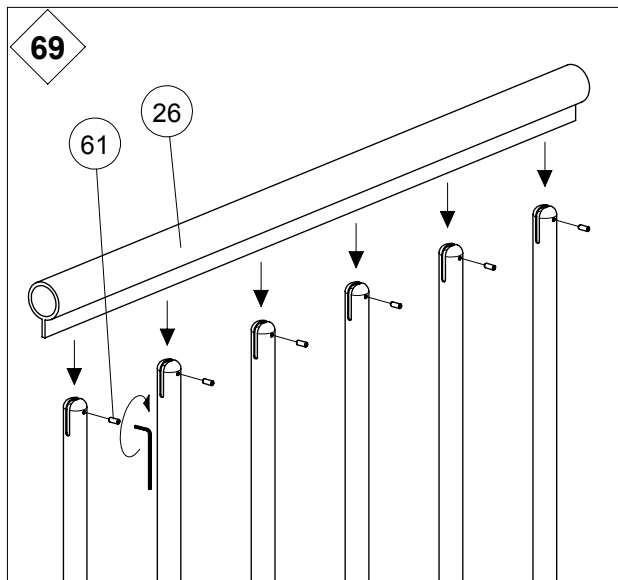
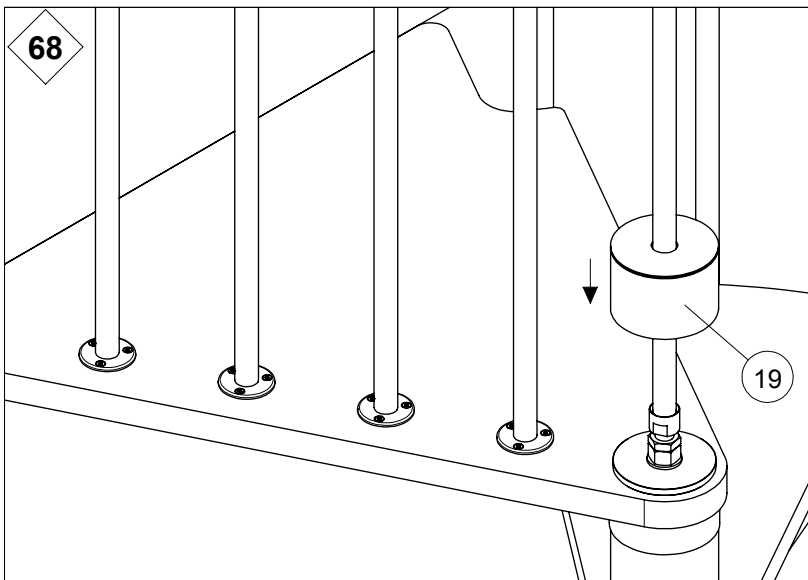
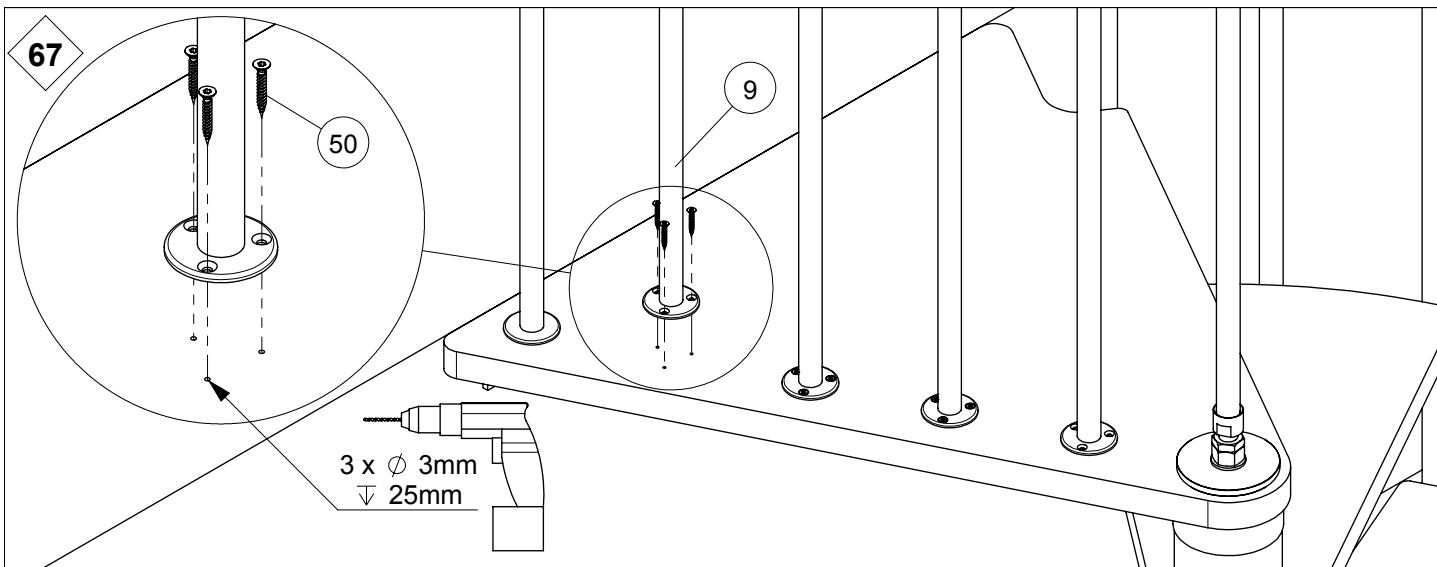
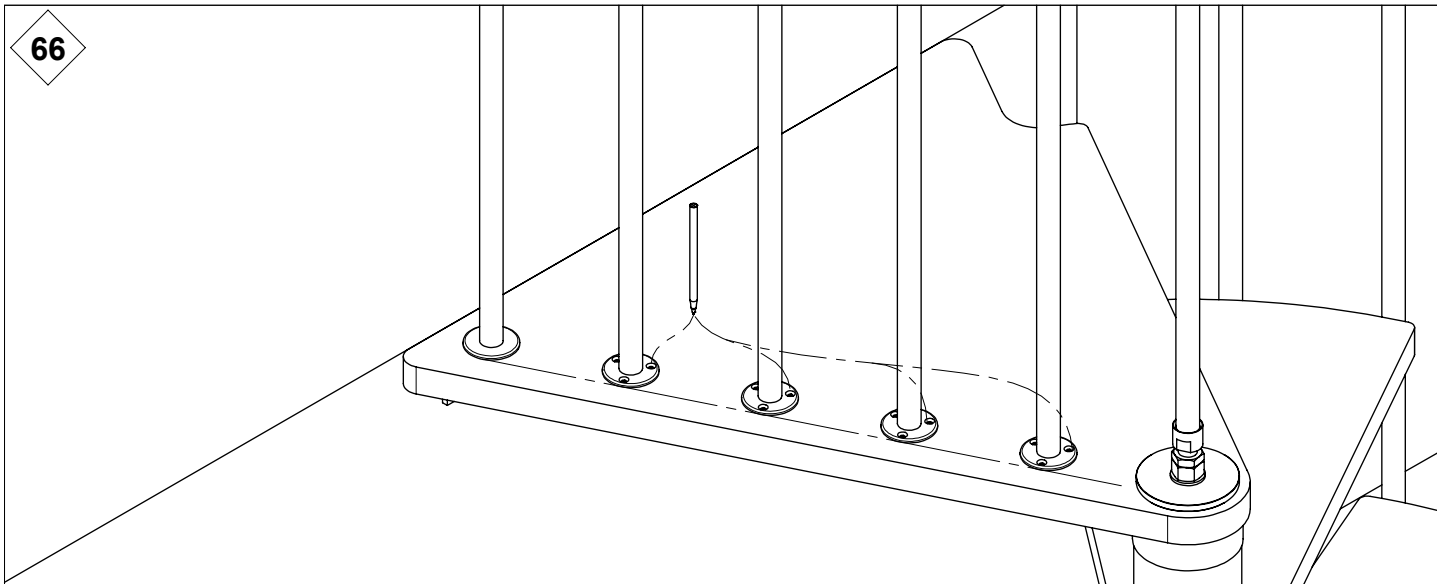


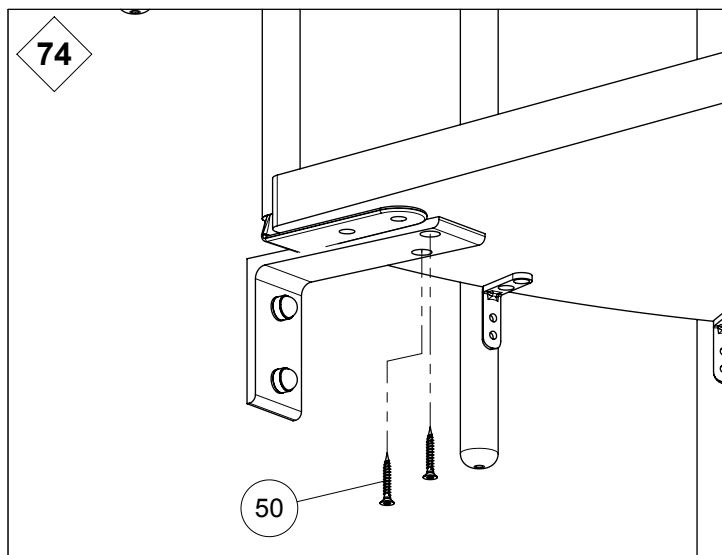
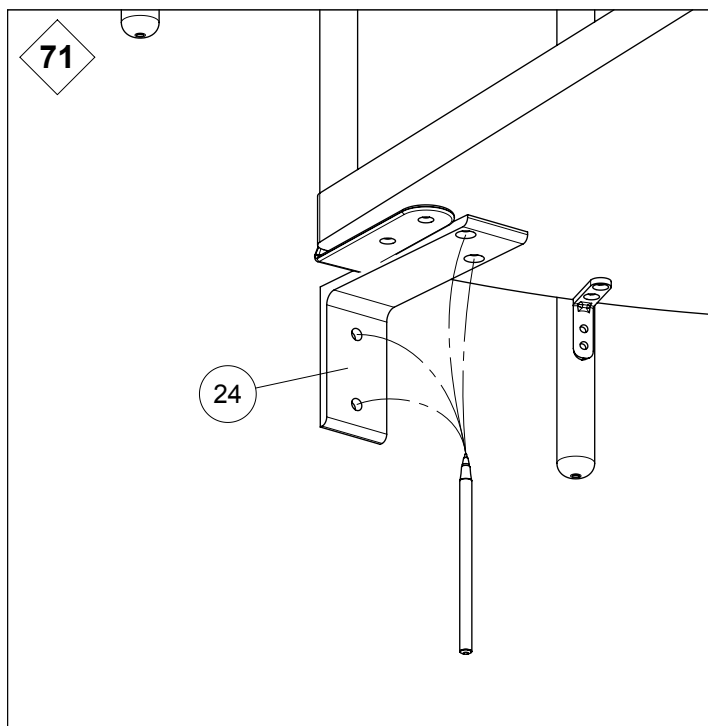
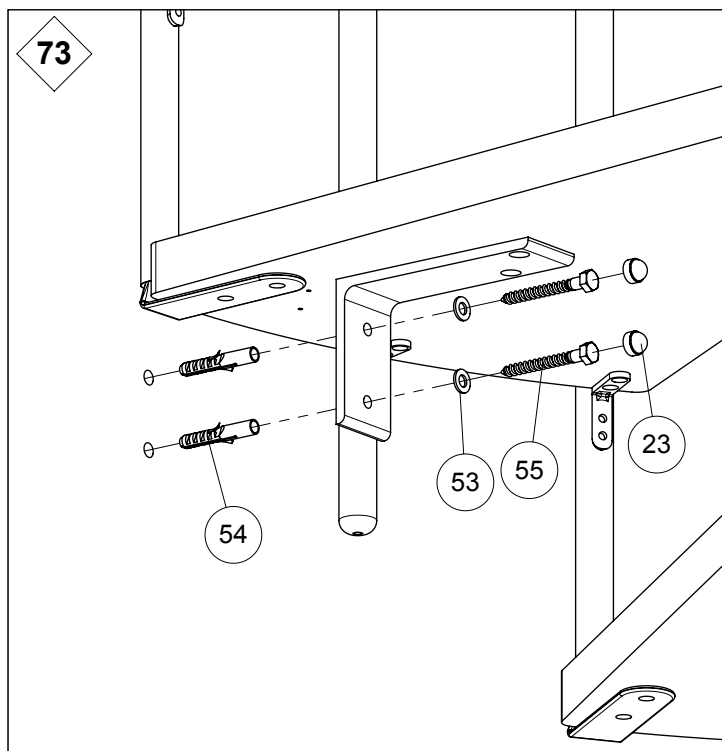
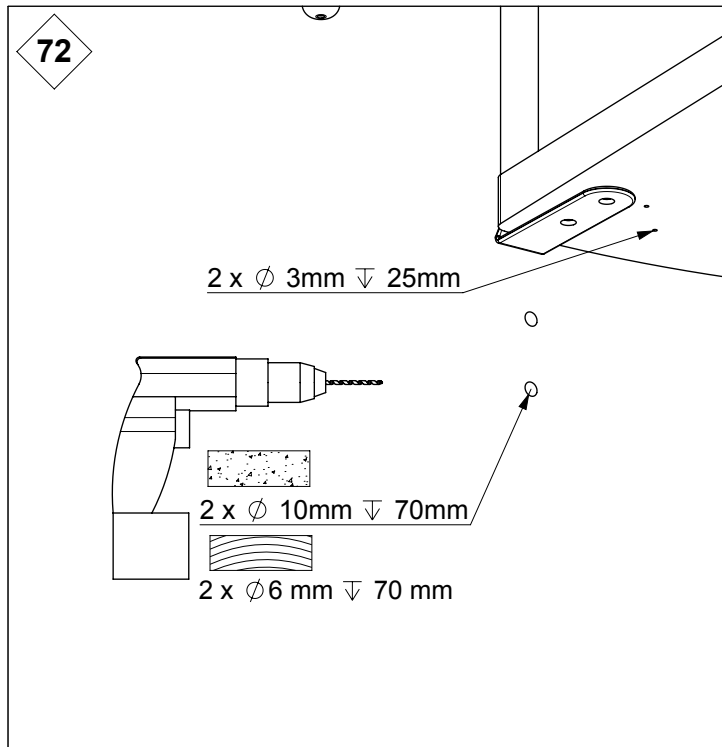
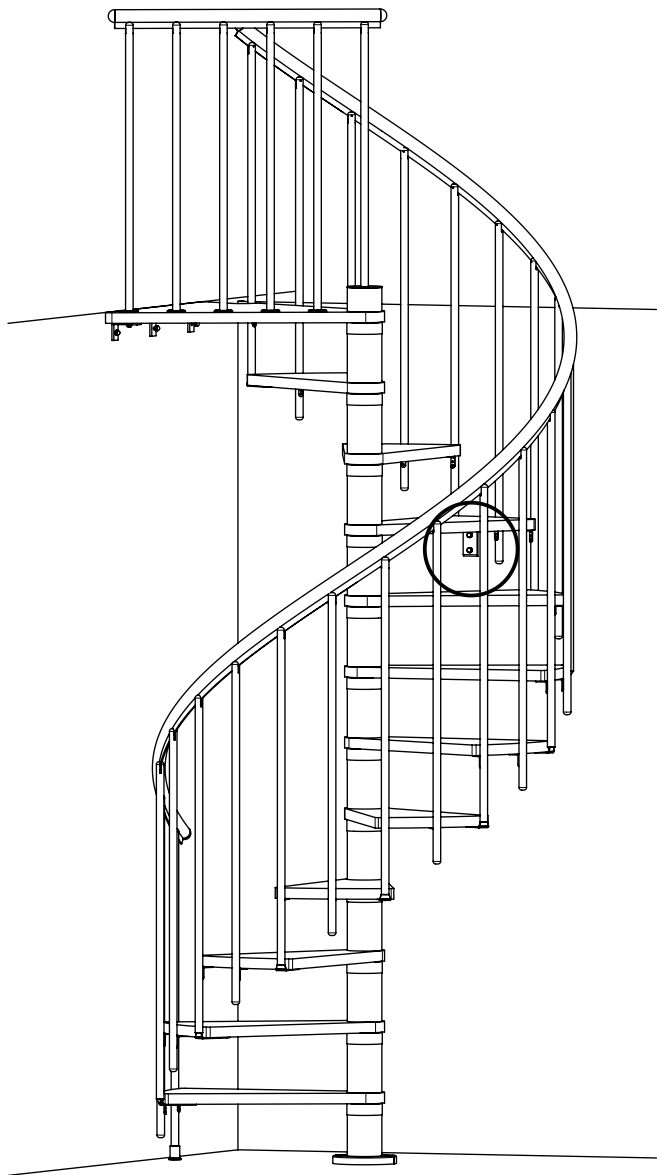
57











75

